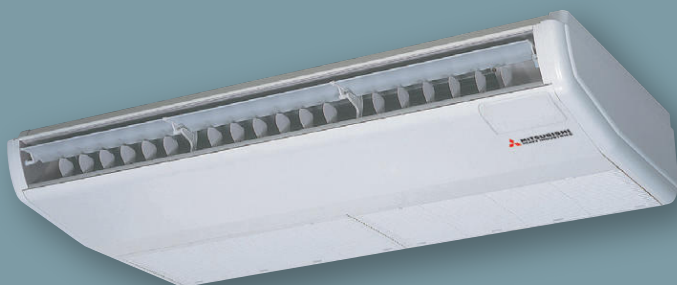


FDE

Indoor Unit Ceiling Suspended



New

FDE 40/50/60/71/100/125/140



Energy Saving



Home Leave



Hi Power



Silent Operation



Flap Control



Favourite Setting



Remote control (option)

Wired

Wireless



RC-EX3A



RC-E5



RCH-E3

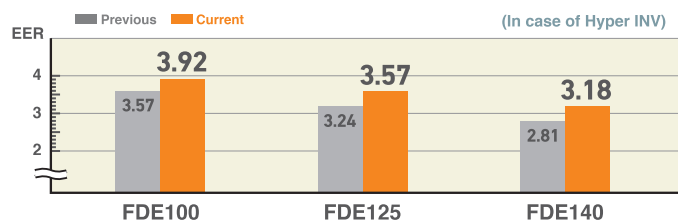


RCN-E-E3

*Not all functions available with all remote control options.

High Efficiency

Energy efficiency was improved by use of DC fan motor & high efficient heat exchanger.



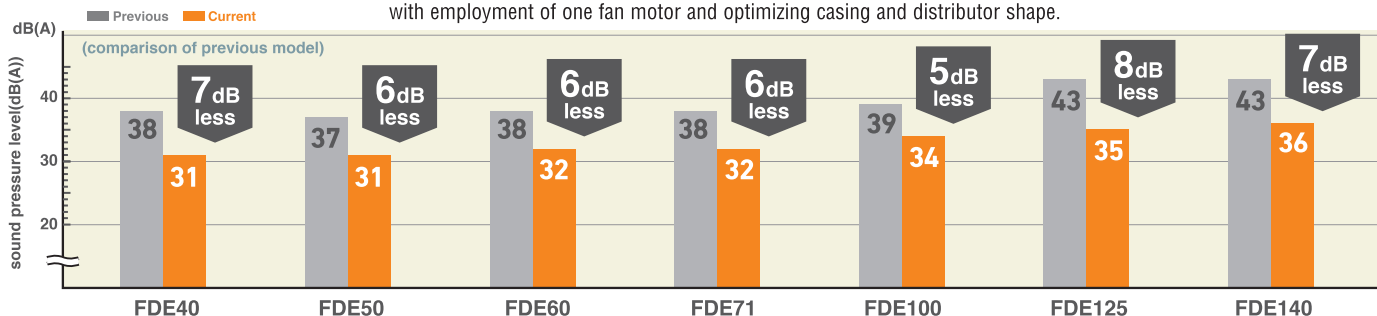
Reduction of Weight

Thanks to decreasing the numbers of fan motor from two to one, reduction of weight was achieved.

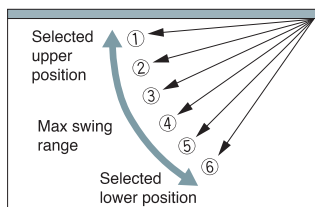
	Previous	Current	
60-71VH	37	33	4kg less!!
100-125-140VH	49	43	6kg less!!

Quieter Noise

The industry's lowest sound pressure levels were achieved by decreasing air flow volume, decreasing pressure loss with employment of one fan motor and optimizing casing and distributor shape.



Flap Control System



The flap can swing within the range of upper and lower flap position selected.

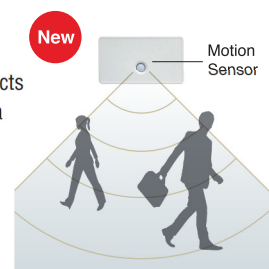
*The wireless remote control is not applicable to the flap control system.

Motion Sensor (Option)

Motion sensor is equipped in the panel and detects the presence/absence and activity of humans in a room to improve the comfort and energy saving performance of the unit.

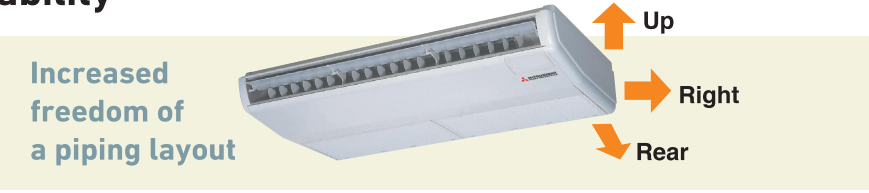


LB-E



Improved Installation Workability

The refrigerant pipe from the unit can be arranged in three directions, rear, right and up. The drain pipe can be arranged in two directions, left and right. This will allow a free layout of piping for various installation conditions. The unit can only be serviced from the bottom.



OUTDOOR UNIT

		Hyper Inverter		
SRC · FDC	Green	40~60ZSX-W1	71VNX-W	-
	Blue	40~60ZSX-S	71VNX	100~140VN(S)X
model			New	
Chargeless		15m	30m	
Height x Width x Depth (mm)		640 x 800(+71) x 290	750 x 880(+88) x 340	1,300 x 970 x 370

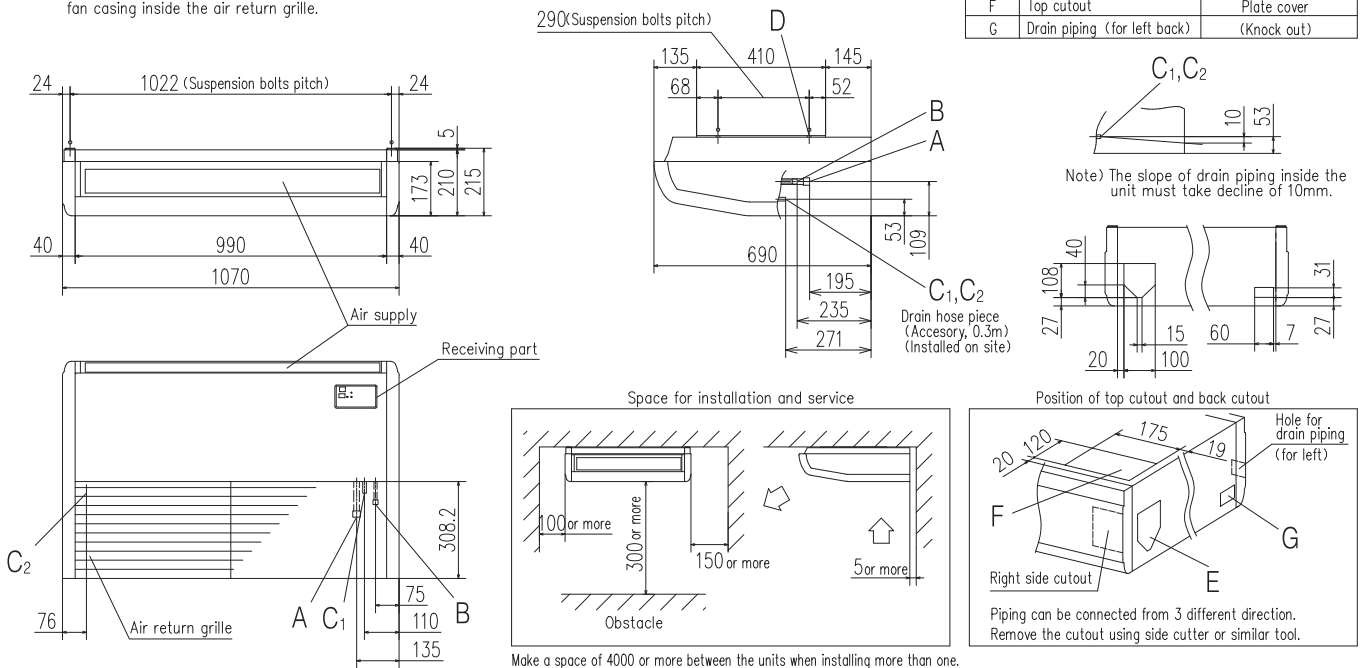
		Micro Inverter			Standard Inverter		
FDC	Green	100~140VN(S)A-W	-	-	71VNP-W	90~100VNP-W	-
	Blue	100~140VN(S)A	200VSA	250VSA	71VNP	90VNP1	100VNP
model		New			New	New	
Chargeless		30m			15m		
Height x Width x Depth (mm)		845 x 970 x 370	1,300 x 970 x 370	1,505 x 970 x 370	640 x 800(+71) x 290	750 x 880(+88) x 340	845 x 970 x 370

DIMENSIONS (Unit:mm) - FDE -

Models FDE40VH, 50VH

Symbol	Content
A	Gas piping $\phi 12.7$ (1/2") (Flare)
B	Liquid piping $\phi 6.35$ (1/4") (Flare)
C _{1,2}	Drain piping VP20 (I.D.20, O.D.26)
D	Hole for suspension bolts (M10 or M8)
E	Back cutout PE cover
F	Top cutout Plate cover
G	Drain piping (for left back) (Knock out)

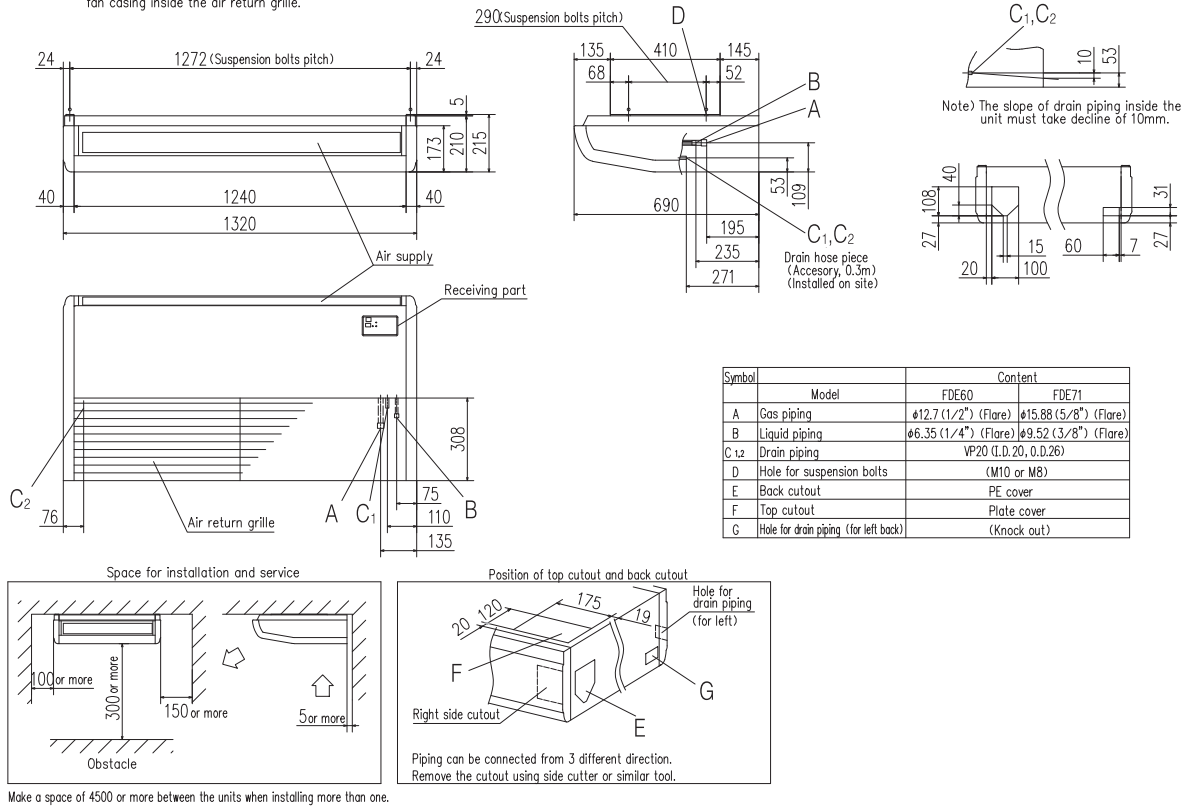
Note (1) The model name label is attached on the fan casing inside the air return grille.



DIMENSIONS (Unit:mm) - FDE -

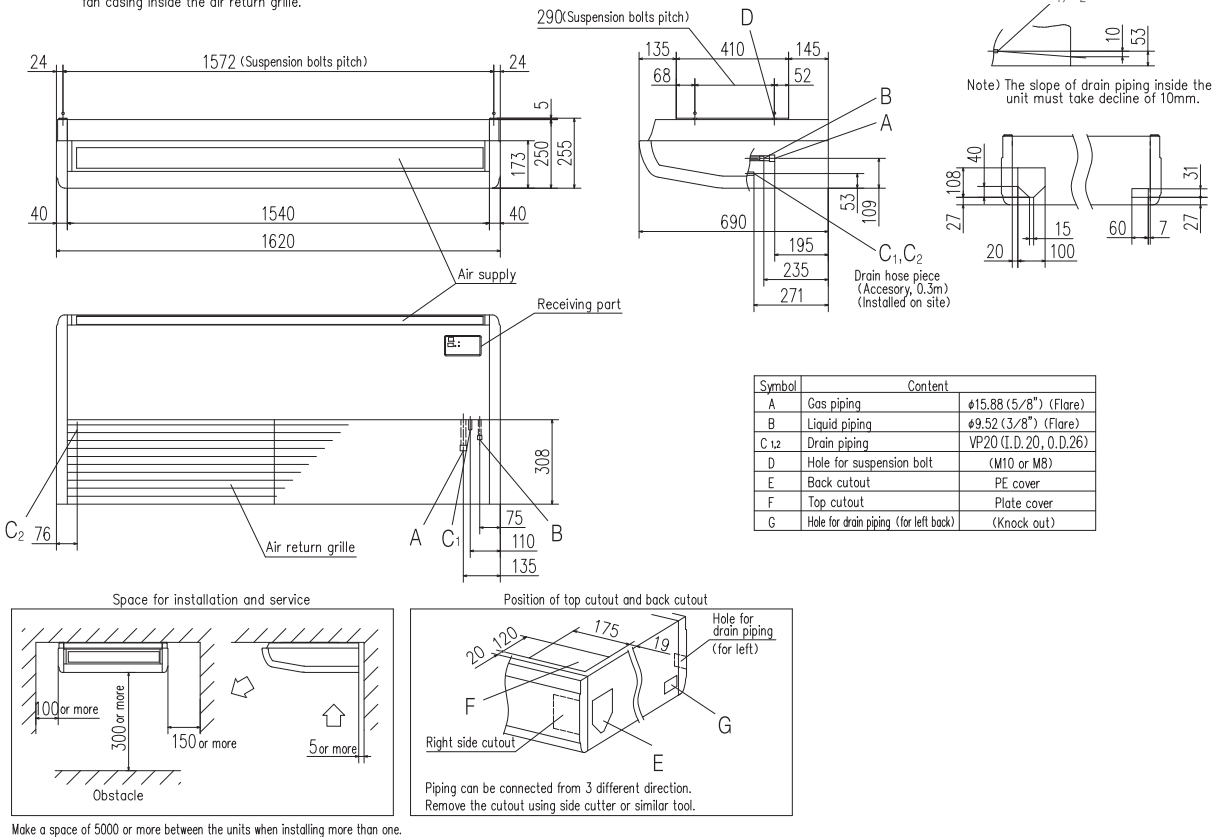
Models FDE60VH, 71VH

Note (1) The model name label is attached on the fan casing inside the air return grille.



Models FDE100VH, 125VH, 140VH

Note (1) The model name label is attached on the fan casing inside the air return grille.



SPECIFICATIONS - FDE -

The values are for simultaneous Multi operation.(except single use)

R32		Hyper Inverter				
		FDE40ZSXW1VH	FDE50ZSXW1VH	FDE60ZSXW1VH	FDE71VNXWVH	FDE71VNXWPVH
Set model name		Twin				
Indoor unit		FDE40VH	FDE50VH	FDE60VH	FDE71VH	FDE40VH x 2
Outdoor unit		SRC40ZSX-W1	SRC50ZSX-W1	SRC60ZSX-W1	FDC71VNX-W	FDC71VNX-W
Power source		1 Phase 220-240V, 50Hz / 220V, 60Hz				
Nominal cooling capacity (Min~Max)		kW 4.0 (1.1 ~ 4.7)	5.0 (1.1 ~ 5.6)	5.6 (1.1 ~ 6.3)	7.1 (3.2 ~ 8.0)	7.1 (3.2 ~ 8.0)
Nominal heating capacity (Min~Max)		kW 4.5 (0.6 ~ 5.4)	5.4 (0.6 ~ 6.3)	6.7 (0.6 ~ 7.1)	8.0 (3.6 ~ 9.0)	8.0 (3.6 ~ 9.0)
Power consumption	Cooling/Heating	kW 1.02 / 1.10	1.43 / 1.46	1.51 / 1.86	1.87 / 1.87	1.76 / 2.10
EER/COP	Cooling/Heating	3.92 / 4.09	3.49 / 3.70	3.71 / 3.60	3.80 / 4.28	4.03 / 3.81
Inrush current	A	5	5	5	5	5
Max. current		15	15	15	19.1	19.1
Sound power level*1	Indoor	Cooling/Heating	60 / 60	60 / 60	60 / 60	60 / 60
	Outdoor	Cooling/Heating	63 / 62	63 / 62	65 / 65	66 / 66
Sound pressure level*1	Indoor	Cooling (P-Hi/Hi/Me/Lo)	46 / 38 / 36 / 31	46 / 38 / 36 / 31	47 / 41 / 37 / 32	47 / 41 / 37 / 32
		Heating (P-Hi/Hi/Me/Lo)	46 / 38 / 36 / 31	46 / 38 / 36 / 31	47 / 41 / 37 / 32	47 / 41 / 37 / 32
Air flow	Outdoor	Cooling/Heating	52 / 50	52 / 50	53 / 54	51 / 51
		Cooling (P-Hi/Hi/Me/Lo)	13 / 10 / 9 / 7	13 / 10 / 9 / 7	20 / 16 / 13 / 10	20 / 16 / 13 / 10
Exterior dimensions	Indoor	HeightxWidthxDepth	mm 210 x 1,070 x 690	210 x 1,320 x 690	210 x 1,320 x 690	210 x 1,070 x 690
		Outdoor	640 x 800(+71) x 290	750 x 880(+88) x 340		
Net weight	Indoor	kg	28	33	28	
			Outdoor	45	60	
Ref.piping size	Liquid/Gas	ømm	6.35(1/4") / 12.7(1/2")		9.52(3/8") / 15.88(5/8")	
Refrigerant line (one way) length		m	Max.30		Max.50	
Vertical height differences	Outdoor is higher/lower	m	Max.20 / Max.20		Max.30 / Max.15	
Outdoor operating temperature range	Cooling	°C	-15~46*2		-15~50*2	
	Heating		-20~24		-20~20	
Air filter, Q'ty			Pocket Plastic net x2(Washable)			
Remote control (option)			wired:RC-EX3A, RC-E5, RCH-E3 wireless:RCN-E-E3			

R410A		Hyper Inverter			
		FDE40ZSXVH	FDE50ZSXVH	FDE60ZSXVH	
Set model name					
Indoor unit		FDE40VH	FDE50VH	FDE60VH	
Outdoor unit		SRC40ZSX-S	SRC50ZSX-S	SRC60ZSX-S	
Power source		1 Phase 220-240V, 50Hz / 220V, 60Hz			
Nominal cooling capacity (Min~Max)		kW 4.0 (1.1 ~ 4.7)	5.0 (1.1 ~ 5.6)	5.6 (1.1 ~ 6.3)	
Nominal heating capacity (Min~Max)		kW 4.5 (0.6 ~ 5.4)	5.4 (0.6 ~ 6.3)	6.7 (0.6 ~ 7.1)	
Power consumption	Cooling/Heating	kW 1.02 / 1.10	1.52 / 1.46	1.75 / 1.86	
EER/COP	Cooling/Heating	3.92 / 4.09	3.29 / 3.70	3.20 / 3.60	
Inrush current	A	5	5	5	
Max. current		12	15	15	
Sound power level*1	Indoor	Cooling/Heating	60 / 60	60 / 60	
	Outdoor	Cooling/Heating	63 / 63	65 / 64	
Sound pressure level*1	Indoor	Cooling (P-Hi/Hi/Me/Lo)	46 / 38 / 36 / 31	47 / 41 / 37 / 32	
		Heating (P-Hi/Hi/Me/Lo)	46 / 38 / 36 / 31	47 / 41 / 37 / 32	
Air flow	Outdoor	Cooling/Heating	50 / 49	52 / 52	
		Cooling (P-Hi/Hi/Me/Lo)	13 / 10 / 9 / 7	20 / 16 / 13 / 10	
Exterior dimensions	Indoor	HeightxWidthxDepth	mm 210 x 1,070 x 690	210 x 1,320 x 690	
		Outdoor	640 x 800(+71) x 290		
Net weight	Indoor	kg	28	33	
			Outdoor	45	
Ref.piping size	Liquid/Gas	ømm	6.35(1/4") / 12.7(1/2")		
Refrigerant line (one way) length		m	Max.30		
Vertical height differences	Outdoor is higher/lower	m	Max.20 / Max.20		
Outdoor operating temperature range	Cooling	°C	-15~46*2		
	Heating		-20~24		
Air filter, Q'ty			Pocket Plastic net x2(Washable)		
Remote control (option)			wired:RC-EX3A, RC-E5, RCH-E3 wireless:RCN-E-E3		

NOTES:

The data are measured under the following conditions(R410A : ISO-T1, R32 : ISO-T1, H1).
Cooling:Indoor temp. of 27°CDB, 19°CWB, and outdoor temp. of 35°CDB. Heating:Indoor temp. of 20°CDB, and outdoor temp. of 7°CDB, 6°CWB.
*1 : Indicates the value in an anechoic chamber. During operation these values are somewhat higher due to ambient conditions.
*2 : If a cooling operation is conducted when the outdoor air temperature is -5°C or lower, the outdoor unit should be installed at a place where it is not influenced by natural wind. If wind blows, the low pressure will drop and compressor frequency will increase, this will cause the capacity to drop and may cause the unit to break down.

SPECIFICATIONS - FDE -

R410A		Hyper Inverter	
Set model name		FDE71VNXVH	FDE100VNXVH
Indoor unit		FDE71VH	FDE100VH
Outdoor unit		FDC71VNX	FDC100VNX
Power source		1 Phase 220-240V, 50Hz / 220V, 60Hz	
Nominal cooling capacity (Min~Max)		kW 7.1 (3.2 ~ 8.0)	10.0 (4.0 ~ 11.2)
Nominal heating capacity (Min~Max)		kW 8.0 (3.6 ~ 9.0)	11.2 (4.0 ~ 12.5)
Power consumption		Cooling/Heating kW 2.11 / 2.11	2.55 / 2.68
EER/COP		Cooling/Heating 3.36 / 3.79	3.92 / 4.18
Inrush current		A 5	5
Max. current		17	24
Sound power level*1	Indoor	Cooling/Heating 60 / 60	64 / 64
	Outdoor	Cooling/Heating 66 / 66	70 / 70
Sound pressure level*1	Indoor	Cooling (P-Hi/Hi/Me/Lo) dB(A) 47 / 41 / 37 / 32	48 / 43 / 38 / 34
	Outdoor	Heating (P-Hi/Hi/Me/Lo) 47 / 41 / 37 / 32	48 / 43 / 38 / 34
Air flow	Indoor	Cooling (P-Hi/Hi/Me/Lo) m³/min 20 / 16 / 13 / 10	32 / 26 / 21 / 16.5
	Outdoor	Heating (P-Hi/Hi/Me/Lo) 20 / 16 / 13 / 10	32 / 26 / 21 / 16.5
Exterior dimensions	Indoor	HeightxWidthxDepth mm 210 x 1,320 x 690	250 x 1,620 x 690
	Outdoor	750 x 880(+88) x 340	1,300 x 970 x 370
Net weight	Indoor	kg 33	43
	Outdoor	60	105
Ref.piping size		Liquid/Gas ømm 9.52(3/8") / 15.88(5/8")	
Refrigerant line (one way) length		m Max.50	Max.100
Vertical height differences		Outdoor is higher/lower m Max.30 / Max.15	
Outdoor operating temperature range		Cooling °C -15~43*2	
		Heating -20~20	
Air filter, Q'ty		Pocket Plastic net x2(Washable)	
Remote control (option)		wired:RC-EX3A, RC-E5, RCH-E3 wireless:RCN-E-E3	

R410A		Hyper Inverter				
Set model name		FDE125VNXVH	FDE140VNXVH	FDE100VSVXVH	FDE125VSVXVH	FDE140VSVXVH
Indoor unit		FDE125VH	FDE140VH	FDE100VH	FDE125VH	FDE140VH
Outdoor unit		FDC125VNX	FDC140VNX	FDC100VSVX	FDC125VSVX	FDC140VSVX
Power source		1 Phase 220-240V, 50Hz / 220V, 60Hz		3 Phase 380-415V, 50Hz / 380V, 60Hz		
Nominal cooling capacity (Min~Max)		kW 12.5 (5.0 ~ 14.0)	14.0 (5.0 ~ 16.0)	10.0 (4.0 ~ 11.2)	12.5 (5.0 ~ 14.0)	14.0 (5.0 ~ 16.0)
Nominal heating capacity (Min~Max)		kW 14.0 (4.0 ~ 17.0)	16.0 (4.0 ~ 18.0)	11.2 (4.0 ~ 16.0)	14.0 (4.0 ~ 18.0)	16.0 (4.0 ~ 20.0)
Power consumption		Cooling/Heating kW 3.50 / 3.77	4.40 / 4.69	2.55 / 2.68	3.50 / 3.77	4.40 / 4.69
EER/COP		Cooling/Heating 3.57 / 3.71	3.18 / 3.41	3.92 / 4.18	3.57 / 3.71	3.18 / 3.41
Inrush current		A 5	5	5	5	5
Max. current		26	26	15	15	15
Sound power level*1	Indoor	Cooling/Heating 64 / 64	65 / 65	64 / 64	64 / 64	65 / 65
	Outdoor	Cooling/Heating 70 / 70	72 / 72	70 / 70	70 / 70	72 / 72
Sound pressure level*1	Indoor	Cooling (P-Hi/Hi/Me/Lo) dB(A) 48 / 45 / 40 / 35	49 / 45 / 40 / 36	48 / 43 / 38 / 34	48 / 45 / 40 / 35	49 / 45 / 40 / 36
	Outdoor	Heating (P-Hi/Hi/Me/Lo) 48 / 45 / 40 / 35	49 / 45 / 40 / 36	48 / 43 / 38 / 34	48 / 45 / 40 / 35	49 / 45 / 40 / 36
Air flow	Indoor	Cooling (P-Hi/Hi/Me/Lo) m³/min 32 / 29 / 23 / 17	34 / 29 / 23 / 18	32 / 26 / 21 / 16.5	32 / 29 / 23 / 17	34 / 29 / 23 / 18
	Outdoor	Heating (P-Hi/Hi/Me/Lo) 32 / 29 / 23 / 17	34 / 29 / 23 / 18	32 / 26 / 21 / 16.5	32 / 29 / 23 / 17	34 / 29 / 23 / 18
Exterior dimensions	Indoor	HeightxWidthxDepth mm 250 x 1,620 x 690				
	Outdoor	1,300 x 970 x 370				
Net weight	Indoor	kg 43				
	Outdoor	105				
Ref.piping size		Liquid/Gas ømm 9.52(3/8") / 15.88(5/8")				
Refrigerant line (one way) length		m Max.100				
Vertical height differences		Outdoor is higher/lower m Max.30 / Max.15				
Outdoor operating temperature range		Cooling °C -15~43*2				
		Heating -20~20				
Air filter, Q'ty		Pocket Plastic net x2(Washable)				
Remote control (option)		wired:RC-EX3A, RC-E5, RCH-E3 wireless:RCN-E-E3				

NOTES:

<p>The data are measured under the following conditions(ISO-T1). Cooling:Indoor temp. of 27°CDB, 19°CWB, and outdoor temp. of 35°CDB. Heating:Indoor temp. of 20°CDB, and outdoor temp. of 7°CDB, 6°CWB. *1 : Indicates the value in an anechoic chamber. During operation these values are somewhat higher due to ambient conditions. *2 : If a cooling operation is conducted when the outdoor air temperature is -5°C or lower, the outdoor unit should be installed at a place where it is not influenced by natural wind. If wind blows, the low pressure will drop and compressor frequency will increase, this will cause the capacity to drop and may cause the unit to break down. *3 : The values are for one indoor unit operation. (Multi system only)</p>
--

The values are for simultaneous Multi operation.

R410A		Hyper Inverter				
Set model name		FDE71VNXPVH	FDE100VNXPVH	FDE125VNXPVH	FDE140VNXPVH	FDE140VNXTVH
		Twin			Triple	
Indoor unit		FDE40VH x 2	FDE50VH x 2	FDE60VH x 2	FDE71VH x 2	FDE50VH x 3
Outdoor unit		FDC71VNX	FDC100VNX	FDC125VNX	FDC140VNX	FDC140VNX
Power source		1 Phase 220-240V, 50Hz / 220V, 60Hz				
Nominal cooling capacity (Min~Max)	kW	7.1 (3.2 ~ 8.0)	10.0 (4.0 ~ 11.2)	12.5 (5.0 ~ 14.0)	14.0 (5.0 ~ 16.0)	14.0 (5.0 ~ 16.0)
Nominal heating capacity (Min~Max)	kW	8.0 (3.6 ~ 9.0)	11.2 (4.0 ~ 12.5)	14.0 (4.0 ~ 17.0)	16.0 (4.0 ~ 18.0)	16.0 (4.0 ~ 18.0)
Power consumption	Cooling/Heating	2.05 / 2.35	3.00 / 3.39	3.97 / 3.70	4.67 / 4.58	4.66 / 4.53
EER/COP	Cooling/Heating	3.46 / 3.40	3.33 / 3.30	3.15 / 3.78	3.00 / 3.49	3.00 / 3.53
Inrush current		5	5	5	5	5
Max. current		17	24	26	26	26
Sound power level*1	Indoor*3	Cooling/Heating	60 / 60	60 / 60	60 / 60	60 / 60
	Outdoor	Cooling/Heating	66 / 66	70 / 70	70 / 70	72 / 72
Sound pressure level*1	Indoor*3	Cooling (P-Hi/Hi/Me/Lo)	46 / 38 / 36 / 31	46 / 38 / 36 / 31	47 / 41 / 37 / 32	47 / 41 / 37 / 32
		Heating (P-Hi/Hi/Me/Lo)	46 / 38 / 36 / 31	46 / 38 / 36 / 31	47 / 41 / 37 / 32	47 / 41 / 37 / 32
	Outdoor	Cooling/Heating	51 / 48	48 / 50	48 / 50	49 / 52
		Cooling/Heating	13 / 10 / 9 / 7	13 / 10 / 9 / 7	20 / 16 / 13 / 10	20 / 16 / 13 / 10
Air flow	Indoor*3	Cooling (P-Hi/Hi/Me/Lo)	13 / 10 / 9 / 7	13 / 10 / 9 / 7	20 / 16 / 13 / 10	20 / 16 / 13 / 10
		Heating (P-Hi/Hi/Me/Lo)	13 / 10 / 9 / 7	13 / 10 / 9 / 7	20 / 16 / 13 / 10	20 / 16 / 13 / 10
Outdoor	Cooling/Heating	60 / 50	100 / 100	100 / 100	100 / 100	
Exterior dimensions	Indoor	HeightxWidthxDepth	210 x 1,070 x 690		210 x 1,320 x 690	
	Outdoor	HeightxWidthxDepth	750 x 880(+88) x 340		1,300 x 970 x 370	
Net weight	Indoor		28		33	
	Outdoor		60		105	
Ref.piping size	Liquid/Gas	ømm 9.52(3/8") / 15.88(5/8")				
Refrigerant line (one way) length		Max. 50		Max. 100		
Vertical height differences	Outdoor is higher/lower	Max.30 / Max.15				
Outdoor operating temperature range	Cooling	-15-43*2				
	Heating	-20~20				
Air filter, Q'ty		Pocket plastic net x 2(Washable)				
Remote control (option)		wired:RC-EX3A, RC-E5, RCH-E3 wireless:RCN-E-E3				

The values are for simultaneous Multi operation.

R410A		Hyper Inverter				
Set model name		FDE100VSXPVH	FDE125VSXPVH	FDE140VSXPVH	FDE140VSXTVH	
		Twin		Triple		
Indoor unit		FDE50VH x 2	FDE60VH x 2	FDE71VH x 2	FDE50VH x 3	
Outdoor unit		FDC100VSX	FDC125VSX	FDC140VSX	FDC140VSX	
Power source		3 Phase 380-415V, 50Hz / 380V, 60Hz				
Nominal cooling capacity (Min~Max)	kW	10.0 (4.0 ~ 11.2)	12.5 (5.0 ~ 14.0)	14.0 (5.0 ~ 16.0)	14.0 (5.0 ~ 16.0)	
Nominal heating capacity (Min~Max)	kW	11.2 (4.0 ~ 16.0)	14.0 (4.0 ~ 18.0)	16.0 (4.0 ~ 20.0)	16.0 (4.0 ~ 20.0)	
Power consumption	Cooling/Heating	3.00 / 3.39	3.97 / 3.70	4.67 / 4.58	4.66 / 4.53	
EER/COP	Cooling/Heating	3.33 / 3.30	3.15 / 3.78	3.00 / 3.49	3.00 / 3.53	
Inrush current		5	5	5	5	
Max. current		15	15	15	15	
Sound power level*1	Indoor*3	Cooling/Heating	60 / 60	60 / 60	60 / 60	
	Outdoor	Cooling/Heating	70 / 70	70 / 70	72 / 72	
Sound pressure level*1	Indoor*3	Cooling (P-Hi/Hi/Me/Lo)	46 / 38 / 36 / 31	47 / 41 / 37 / 32	47 / 41 / 37 / 32	
		Heating (P-Hi/Hi/Me/Lo)	46 / 38 / 36 / 31	47 / 41 / 37 / 32	47 / 41 / 37 / 32	
	Outdoor	Cooling/Heating	48 / 50	48 / 50	49 / 52	
		Cooling/Heating	13 / 10 / 9 / 7	20 / 16 / 13 / 10	20 / 16 / 13 / 10	
Air flow	Indoor*3	Cooling (P-Hi/Hi/Me/Lo)	13 / 10 / 9 / 7	20 / 16 / 13 / 10	20 / 16 / 13 / 10	
		Heating (P-Hi/Hi/Me/Lo)	13 / 10 / 9 / 7	20 / 16 / 13 / 10	20 / 16 / 13 / 10	
Outdoor	Cooling/Heating	100 / 100	100 / 100	100 / 100		
Exterior dimensions	Indoor	HeightxWidthxDepth	210 x 1,070 x 690		210 x 1,320 x 690	
	Outdoor	HeightxWidthxDepth			1,300 x 970 x 370	
Net weight	Indoor		28		33	
	Outdoor		60		105	
Ref.piping size	Liquid/Gas	ømm 9.52(3/8") / 15.88(5/8")				
Refrigerant line (one way) length		Max.100				
Vertical height differences	Outdoor is higher/lower	Max.30 / Max.15				
Outdoor operating temperature range	Cooling	-15-43*2				
	Heating	-20~20				
Air filter, Q'ty		Pocket plastic net x 2(Washable)				
Remote control (option)		wired:RC-EX3A, RC-E5, RCH-E3 wireless:RCN-E-E3				

SPECIFICATIONS - FDE -

R32		Micro Inverter		
Set model name		FDE100VNAWVH	FDE125VNAWVH	FDE140VNAWVH
Indoor unit		FDE100VH	FDE125VH	FDE140VH
Outdoor unit		FDC100VNA-W	FDC125VNA-W	FDC140VNA-W
Power source		1 Phase 220-240V, 50Hz / 220V, 60Hz		
Nominal cooling capacity (Min-Max)		kW 10.0 (4.0 ~ 11.2)	12.5 (5.0 ~ 14.0)	13.6 (5.0 ~ 14.5)
Nominal heating capacity (Min-Max)		kW 11.2 (4.0 ~ 12.5)	14.0 (4.0 ~ 16.0)	15.5 (4.0 ~ 16.5)
Power consumption	Cooling/Heating	kW 2.85 / 2.54	4.45 / 3.74	5.05 / 4.18
EER/COP	Cooling/Heating	3.51 / 4.41	2.81 / 3.74	2.69 / 3.71
Inrush current		A 5	5	5
Max. current		24	24	24
Sound power level*1	Indoor	Cooling/Heating	64 / 64	65 / 65
	Outdoor	Cooling/Heating	69 / 70	73 / 73
Sound pressure level*1	Indoor	Cooling (P-Hi/Hi/Me/Lo)	48 / 43 / 38 / 34	48 / 45 / 40 / 35
		Heating (P-Hi/Hi/Me/Lo)	48 / 43 / 38 / 34	48 / 45 / 40 / 35
	Outdoor	Cooling/Heating	54 / 55	54 / 56
				56 / 58
Air flow	Indoor	Cooling (P-Hi/Hi/Me/Lo)	32 / 26 / 21 / 16.5	32 / 29 / 23 / 17
		Heating (P-Hi/Hi/Me/Lo)	32 / 26 / 21 / 16.5	32 / 29 / 23 / 17
	Outdoor	Cooling/Heating	75 / 73	75 / 73
				75 / 73
Exterior dimensions	Indoor	HeightxWidthxDepth	250 x 1,620 x 690	
	Outdoor		845 x 970 x 370	
Net weight	Indoor		43	
	Outdoor		77	
Ref.piping size	Liquid/Gas	ømm	9.52(3/8") / 15.88(5/8")	
Refrigerant line (one way) length		m	Max.50	
Vertical height differences	Outdoor is higher/lower	m	Max.50 / Max.15	
Outdoor operating temperature range	Cooling	°C	-15~50*2	
	Heating		-20~20	
Air filter, Q'ty			Pocket Plastic net x2(Washable)	
Remote control (option)			wired:RC-EX3A, RC-E5, RCH-E3 wireless:RCN-E-E3	

R32		Micro Inverter		
Set model name		FDE100VSAWVH	FDE125VSAWVH	FDE140VSAWVH
Indoor unit		FDE100VH	FDE125VH	FDE140VH
Outdoor unit		FDC100VSA-W	FDC125VSA-W	FDC140VSA-W
Power source		3 Phase 380-415V, 50Hz / 380V, 60Hz		
Nominal cooling capacity (Min-Max)		kW 10.0 (4.0 ~ 11.2)	12.5 (5.0 ~ 14.0)	13.6 (5.0 ~ 14.5)
Nominal heating capacity (Min-Max)		kW 11.2 (4.0 ~ 12.5)	14.0 (4.0 ~ 16.0)	15.5 (4.0 ~ 16.5)
Power consumption	Cooling/Heating	kW 2.85 / 2.54	4.45 / 3.74	5.05 / 4.18
EER/COP	Cooling/Heating	3.51 / 4.41	2.81 / 3.74	2.69 / 3.71
Inrush current		A 5	5	5
Max. current		15	15	15
Sound power level*1	Indoor	Cooling/Heating	64 / 64	65 / 65
	Outdoor	Cooling/Heating	69 / 70	72 / 73
Sound pressure level*1	Indoor	Cooling (P-Hi/Hi/Me/Lo)	48 / 43 / 38 / 34	48 / 45 / 40 / 35
		Heating (P-Hi/Hi/Me/Lo)	48 / 43 / 38 / 34	48 / 45 / 40 / 35
	Outdoor	Cooling/Heating	54 / 55	54 / 56
				56 / 58
Air flow	Indoor	Cooling (P-Hi/Hi/Me/Lo)	32 / 26 / 21 / 16.5	32 / 29 / 23 / 17
		Heating (P-Hi/Hi/Me/Lo)	32 / 26 / 21 / 16.5	32 / 29 / 23 / 17
	Outdoor	Cooling/Heating	75 / 73	75 / 73
				75 / 73
Exterior dimensions	Indoor	HeightxWidthxDepth	250 x 1,620 x 690	
	Outdoor		845 x 970 x 370	
Net weight	Indoor		43	
	Outdoor		78	
Ref.piping size	Liquid/Gas	ømm	9.52(3/8") / 15.88(5/8")	
Refrigerant line (one way) length		m	Max.50	
Vertical height differences	Outdoor is higher/lower	m	Max.50 / Max.15	
Outdoor operating temperature range	Cooling	°C	-15~50*2	
	Heating		-20~20	
Air filter, Q'ty			Pocket Plastic net x2(Washable)	
Remote control (option)			wired:RC-EX3A, RC-E5, RCH-E3 wireless:RCN-E-E3	

NOTES:

<p>The data are measured under the following conditions(ISO-T1, H1). Cooling:Indoor temp. of 27°CDB, 19°CWB, and outdoor temp. of 35°CDB. Heating:Indoor temp. of 20°CDB, and outdoor temp. of 7°CDB, 6°CWB. *1 : Indicates the value in an anechoic chamber. During operation these values are somewhat higher due to ambient conditions. *2 : If a cooling operation is conducted when the outdoor air temperature is -5°C or lower, the outdoor unit should be installed at a place where it is not influenced by natural wind. If wind blows, the low pressure will drop and compressor frequency will increase, this will cause the capacity to drop and may cause the unit to break down. *3 : The values are for one indoor unit operation. (Multi system only)</p>
--

The values are for simultaneous Multi operation.

R32		Micro Inverter				
Set model name		FDE100VNAVPVH	FDE125VNAVPVH	FDE140VNAVPVH	FDE140VNAWTVH	
		Twin		Triple		
Indoor unit		FDE50VH x 2	FDE60VH x 2	FDE71VH x 2	FDE50VH x 3	
Outdoor unit		FDC100VNA-W	FDC125VNA-W	FDC140VNA-W	FDC140VNA-W	
Power source		1 Phase 220-240V, 50Hz / 220V, 60Hz				
Nominal cooling capacity (Min~Max)	kW	10.0 (4.0 ~ 11.2)	12.5 (5.0 ~ 14.0)	13.6 (5.0 ~ 14.5)	13.6 (5.0 ~ 14.5)	
Nominal heating capacity (Min~Max)	kW	11.2 (4.0 ~ 12.5)	14.0 (4.0 ~ 16.0)	15.5 (4.0 ~ 16.5)	15.5 (4.0 ~ 16.5)	
Power consumption	Cooling/Heating	3.12 / 2.99	4.16 / 3.54	4.74 / 4.21	4.74 / 4.21	
EER/COP	Cooling/Heating	3.21 / 3.75	3.00 / 3.95	2.87 / 3.68	2.87 / 3.68	
Inrush current		5	5	5	5	
Max. current		24	24	24	24	
Sound power level*1	Indoor*3	Cooling/Heating	60 / 60	60 / 60	60 / 60	
	Outdoor	Cooling/Heating	69 / 70	71 / 71	72 / 73	
Sound pressure level*1	Indoor*3	Cooling (P-Hi/Hi/Me/Lo)	46 / 38 / 36 / 31	47 / 41 / 37 / 32	47 / 41 / 37 / 32	
		Heating (P-Hi/Hi/Me/Lo)	46 / 38 / 36 / 31	47 / 41 / 37 / 32	47 / 41 / 37 / 32	
	Outdoor	Cooling/Heating	54 / 55	54 / 56	56 / 58	
		Air flow	Indoor*3	Cooling (P-Hi/Hi/Me/Lo)	13 / 10 / 9 / 7	20 / 16 / 13 / 10
	Outdoor	Cooling/Heating	75 / 73	75 / 73	75 / 73	
Exterior dimensions	Indoor	HeightxWidthxDepth	mm	210 x 1,070 x 690	210 x 1,320 x 690	210 x 1,070 x 690
	Outdoor			845 x 970 x 370		
Net weight	Indoor		kg	28	33	28
	Outdoor			77		
Ref.piping size	Liquid/Gas	ømm	9.52(3/8") / 15.88(5/8")			
Refrigerant line (one way) length		m	Max. 50			
Vertical height differences	Outdoor is higher/lower	m	Max.50 / Max.15			
Outdoor operating temperature range	Cooling	°C	-15~50*2			
	Heating		-20~20			
Air filter, Q'ty			Pocket plastic net x 2(Washable)			
Remote control (option)			wired:RC-EX3A, RC-E5, RCH-E3 wireless:RCN-E-E3			

The values are for simultaneous Multi operation.

R32		Micro Inverter				
Set model name		FDE100VSAVPVH	FDE125VSAVPVH	FDE140VSAVPVH	FDE140VSAWTVH	
		Twin		Triple		
Indoor unit		FDE50VH x 2	FDE60VH x 2	FDE71VH x 2	FDE50VH x 3	
Outdoor unit		FDC100VSA-W	FDC125VSA-W	FDC140VSA-W	FDC140VSA-W	
Power source		3 Phase 380-415V, 50Hz / 380V, 60Hz				
Nominal cooling capacity (Min~Max)	kW	10.0 (4.0 ~ 11.2)	12.5 (5.0 ~ 14.0)	13.6 (5.0 ~ 14.5)	13.6 (5.0 ~ 14.5)	
Nominal heating capacity (Min~Max)	kW	11.2 (4.0 ~ 12.5)	14.0 (4.0 ~ 16.0)	15.5 (4.0 ~ 16.5)	15.5 (4.0 ~ 16.5)	
Power consumption	Cooling/Heating	3.12 / 2.99	4.16 / 3.54	4.74 / 4.21	4.74 / 4.21	
EER/COP	Cooling/Heating	3.21 / 3.75	3.00 / 3.95	2.87 / 3.68	2.87 / 3.68	
Inrush current		5	5	5	5	
Max. current		15	15	15	15	
Sound power level*1	Indoor*3	Cooling/Heating	60 / 60	60 / 60	60 / 60	
	Outdoor	Cooling/Heating	69 / 70	71 / 71	72 / 73	
Sound pressure level*1	Indoor*3	Cooling (P-Hi/Hi/Me/Lo)	46 / 38 / 36 / 31	47 / 41 / 37 / 32	47 / 41 / 37 / 32	
		Heating (P-Hi/Hi/Me/Lo)	46 / 38 / 36 / 31	47 / 41 / 37 / 32	47 / 41 / 37 / 32	
	Outdoor	Cooling/Heating	54 / 56	54 / 56	56 / 58	
		Air flow	Indoor*3	Cooling (P-Hi/Hi/Me/Lo)	13 / 10 / 9 / 7	20 / 16 / 13 / 10
	Outdoor	Cooling/Heating	75 / 73	75 / 73	75 / 73	
Exterior dimensions	Indoor	HeightxWidthxDepth	mm	210 x 1,070 x 690	210 x 1,320 x 690	210 x 1,070 x 690
	Outdoor			845 x 970 x 370		
Net weight	Indoor		kg	28	33	28
	Outdoor			78		
Ref.piping size	Liquid/Gas	ømm	9.52(3/8") / 15.88(5/8")			
Refrigerant line (one way) length		m	Max.50			
Vertical height differences	Outdoor is higher/lower	m	Max.50 / Max.15			
Outdoor operating temperature range	Cooling	°C	-15~50*2			
	Heating		-20~20			
Air filter, Q'ty			Pocket plastic net x 2(Washable)			
Remote control (option)			wired:RC-EX3A, RC-E5, RCH-E3 wireless:RCN-E-E3			

SPECIFICATIONS - FDE -

R410A			Micro Inverter		
Set model name			FDE100VNAVH	FDE125VNAVH	FDE140VNAVH
Indoor unit			FDE100VH	FDE125VH	FDE140VH
Outdoor unit			FDC100VNA	FDC125VNA	FDC140VNA
Power source			1 Phase 220-240V, 50Hz / 220V, 60Hz		
Nominal cooling capacity (Min-Max)			kW 10.0 (4.0 ~ 11.2)	12.5 (5.0 ~ 14.0)	13.6 (5.0 ~ 14.5)
Nominal heating capacity (Min-Max)			kW 11.2 (4.0 ~ 12.5)	14.0 (4.0 ~ 16.0)	15.5 (4.0 ~ 16.5)
Power consumption			Cooling/Heating kW 2.85 / 2.70	4.45 / 3.74	5.21 / 4.42
EER/COP			Cooling/Heating 3.51 / 4.15	2.81 / 3.74	2.61 / 3.51
Inrush current			A 5	5	5
Max. current			24	24	24
Sound power level*1	Indoor	Cooling/Heating	64 / 64	64 / 64	65 / 65
	Outdoor	Cooling/Heating	70 / 70	71 / 71	73 / 73
Sound pressure level*1	Indoor	Cooling (P-Hi/Hi/Me/Lo)	dB(A) 48 / 43 / 38 / 34	48 / 45 / 40 / 35	49 / 45 / 40 / 36
		Heating (P-Hi/Hi/Me/Lo)		48 / 45 / 40 / 35	49 / 45 / 40 / 36
	Outdoor	Cooling/Heating	54 / 56	55 / 57	57 / 59
		Cooling (P-Hi/Hi/Me/Lo)	32 / 26 / 21 / 16.5	32 / 29 / 23 / 17	34 / 29 / 23 / 18
Air flow	Indoor	Heating (P-Hi/Hi/Me/Lo)	m³/min 32 / 26 / 21 / 16.5	32 / 29 / 23 / 17	34 / 29 / 23 / 18
		Cooling/Heating		75 / 73	75 / 73
Exterior dimensions	Indoor	HeightxWidthxDepth	mm	250 x 1,620 x 690	
	Outdoor			845 x 970 x 370	
Net weight	Indoor		kg	43	
	Outdoor			80	
Ref.piping size	Liquid/Gas			ømm 9.52(3/8") / 15.88(5/8")	
Refrigerant line (one way) length			m	Max.50	
Vertical height differences	Outdoor is higher/lower		m	Max.50 / Max.15	
Outdoor operating temperature range	Cooling	°C	-15~50*2		
	Heating		-20~20		
Air filter, Q'ty			Pocket Plastic net x2(Washable)		
Remote control (option)			wired:RC-EX3A, RC-E5, RCH-E3 wireless:RCN-E-E3		

R410A			Micro Inverter		
Set model name			FDE100VSAVH	FDE125VSAVH	FDE140VSAVH
Indoor unit			FDE100VH	FDE125VH	FDE140VH
Outdoor unit			FDC100VSA	FDC125VSA	FDC140VSA
Power source			3 Phase 380-415V, 50Hz / 380V, 60Hz		
Nominal cooling capacity (Min-Max)			kW 10.0 (4.0 ~ 11.2)	12.5 (5.0 ~ 14.0)	13.6 (5.0 ~ 14.5)
Nominal heating capacity (Min-Max)			kW 11.2 (4.0 ~ 12.5)	14.0 (4.0 ~ 16.0)	15.5 (4.0 ~ 16.5)
Power consumption			Cooling/Heating kW 2.85 / 2.70	4.45 / 3.74	5.21 / 4.42
EER/COP			Cooling/Heating 3.51 / 4.15	2.81 / 3.74	2.61 / 3.51
Inrush current			A 5	5	5
Max. current			15	15	15
Sound power level*1	Indoor	Cooling/Heating	64 / 64	64 / 64	65 / 65
	Outdoor	Cooling/Heating	70 / 70	71 / 71	73 / 73
Sound pressure level*1	Indoor	Cooling (P-Hi/Hi/Me/Lo)	dB(A) 48 / 43 / 38 / 34	48 / 45 / 40 / 35	49 / 45 / 40 / 36
		Heating (P-Hi/Hi/Me/Lo)		48 / 45 / 40 / 35	49 / 45 / 40 / 36
	Outdoor	Cooling/Heating	54 / 56	55 / 57	57 / 59
		Cooling (P-Hi/Hi/Me/Lo)	32 / 26 / 21 / 16.5	32 / 29 / 23 / 17	34 / 29 / 23 / 18
Air flow	Indoor	Heating (P-Hi/Hi/Me/Lo)	m³/min 32 / 26 / 21 / 16.5	32 / 29 / 23 / 17	34 / 29 / 23 / 18
		Cooling/Heating		75 / 73	75 / 73
Exterior dimensions	Indoor	HeightxWidthxDepth	mm	250 x 1,620 x 690	
	Outdoor			845 x 970 x 370	
Net weight	Indoor		kg	43	
	Outdoor			82	
Ref.piping size	Liquid/Gas			ømm 9.52(3/8") / 15.88(5/8")	
Refrigerant line (one way) length			m	Max.50	
Vertical height differences	Outdoor is higher/lower		m	Max.50 / Max.15	
Outdoor operating temperature range	Cooling	°C	-15~50*2		
	Heating		-20~20		
Air filter, Q'ty			Pocket Plastic net x2(Washable)		
Remote control (option)			wired:RC-EX3A, RC-E5, RCH-E3 wireless:RCN-E-E3		

NOTES:

<p>The data are measured under the following conditions(ISO-T1). Cooling:Indoor temp. of 27°CDB, 19°CWB, and outdoor temp. of 35°CDB. Heating:Indoor temp. of 20°CDB, and outdoor temp. of 7°CDB, 6°CWB. *1 : Indicates the value in an anechoic chamber. During operation these values are somewhat higher due to ambient conditions. *2 : If a cooling operation is conducted when the outdoor air temperature is -5°C or lower, the outdoor unit should be installed at a place where it is not influenced by natural wind. If wind blows, the low pressure will drop and compressor frequency will increase, this will cause the capacity to drop and may cause the unit to break down. *3 : The values are for one indoor unit operation. (Multi system only)</p>
--

The values are for simultaneous Multi operation.

R410A			Micro Inverter			
Set model name			FDE100VNAPVH	FDE125VNAPVH	FDE140VNAPVH	FDE140VNATVH
			Twin		Triple	
Indoor unit			FDE50VH x 2	FDE60VH x 2	FDE71VH x 2	FDE50VH x 3
Outdoor unit			FDC100VNA	FDC125VNA	FDC140VNA	FDC140VNA
Power source			1 Phase 220-240V, 50Hz / 220V, 60Hz			
Nominal cooling capacity (Min~Max)	kW		10.0 (4.0 ~ 11.2)	12.5 (5.0 ~ 14.0)	13.6 (5.0 ~ 14.5)	13.6 (5.0 ~ 14.5)
Nominal heating capacity (Min~Max)	kW		11.2 (4.0 ~ 12.5)	14.0 (4.0 ~ 16.0)	15.5 (4.0 ~ 16.5)	15.5 (4.0 ~ 16.5)
Power consumption	Cooling/Heating	kW	3.12 / 2.99	4.16 / 3.54	4.74 / 4.21	4.74 / 4.21
EER/COP	Cooling/Heating		3.21 / 3.75	3.00 / 3.95	2.87 / 3.68	2.87 / 3.68
Inrush current		A	5	5	5	5
Max. current			24	24	24	24
Sound power level*1	Indoor*3	Cooling/Heating	60 / 60	60 / 60	60 / 60	60 / 60
	Outdoor	Cooling/Heating	70 / 70	71 / 71	73 / 73	73 / 73
Sound pressure level*1	Indoor*3	Cooling (P-Hi/Hi/Me/Lo)	46 / 38 / 36 / 31	47 / 41 / 37 / 32	47 / 41 / 37 / 32	46 / 38 / 36 / 31
		Heating (P-Hi/Hi/Me/Lo)	46 / 38 / 36 / 31	47 / 41 / 37 / 32	47 / 41 / 37 / 32	46 / 38 / 36 / 31
	Outdoor	Cooling/Heating	54 / 56	55 / 57	57 / 59	57 / 59
		Air flow	Indoor*3	Cooling (P-Hi/Hi/Me/Lo)	13 / 10 / 9 / 7	20 / 16 / 13 / 10
	Outdoor	Heating (P-Hi/Hi/Me/Lo)	13 / 10 / 9 / 7	20 / 16 / 13 / 10	20 / 16 / 13 / 10	13 / 10 / 9 / 7
		Cooling/Heating	75 / 73	75 / 73	75 / 73	75 / 73
Exterior dimensions	Indoor	HeightxWidthxDepth	mm	210 x 1,070 x 690	210 x 1,320 x 690	210 x 1,070 x 690
	Outdoor			845 x 970 x 370		
Net weight	Indoor		kg	28	33	28
	Outdoor			80		
Ref.piping size	Liquid/Gas	ømm	9.52(3/8") / 15.88(5/8")			
Refrigerant line (one way) length		m	Max. 50			
Vertical height differences	Outdoor is higher/lower	m	Max.50 / Max.15			
Outdoor operating temperature range	Cooling	°C	-15~50*2			
	Heating		-20~20			
Air filter, Q'ty			Pocket plastic net x 2(Washable)			
Remote control (option)			wired:RC-EX3A, RC-E5, RCH-E3 wireless:RCN-E-E3			

The values are for simultaneous Multi operation.

R410A			Micro Inverter			
Set model name			FDE100VSAPVH	FDE125VSAPVH	FDE140VSAPVH	
			Twin			
Indoor unit			FDE50VH x 2	FDE60VH x 2	FDE71VH x 2	
Outdoor unit			FDC100VSA	FDC125VSA	FDC140VSA	
Power source			3 Phase 380-415V, 50Hz / 380V, 60Hz			
Nominal cooling capacity (Min~Max)	kW		10.0 (4.0 ~ 11.2)	12.5 (5.0 ~ 14.0)	13.6 (5.0 ~ 14.5)	
Nominal heating capacity (Min~Max)	kW		11.2 (4.0 ~ 12.5)	14.0 (4.0 ~ 16.0)	15.5 (4.0 ~ 16.5)	
Power consumption	Cooling/Heating	kW	3.12 / 2.99	4.16 / 3.54	4.74 / 4.21	
EER/COP	Cooling/Heating		3.21 / 3.75	3.00 / 3.95	2.87 / 3.68	
Inrush current		A	5	5	5	
Max. current			15	15	15	
Sound power level*1	Indoor*3	Cooling/Heating	60 / 60	60 / 60	60 / 60	
	Outdoor	Cooling/Heating	70 / 70	71 / 71	73 / 73	
Sound pressure level*1	Indoor*3	Cooling (P-Hi/Hi/Me/Lo)	46 / 38 / 36 / 31	47 / 41 / 37 / 32	47 / 41 / 37 / 32	
		Heating (P-Hi/Hi/Me/Lo)	46 / 38 / 36 / 31	47 / 41 / 37 / 32	47 / 41 / 37 / 32	
	Outdoor	Cooling/Heating	54 / 56	55 / 57	57 / 59	
		Air flow	Indoor*3	Cooling (P-Hi/Hi/Me/Lo)	13 / 10 / 9 / 7	20 / 16 / 13 / 10
	Outdoor	Heating (P-Hi/Hi/Me/Lo)	13 / 10 / 9 / 7	20 / 16 / 13 / 10	20 / 16 / 13 / 10	
		Cooling/Heating	75 / 73	75 / 73	75 / 73	
Exterior dimensions	Indoor	HeightxWidthxDepth	mm	210 x 1,070 x 690	210 x 1,320 x 690	
	Outdoor			845 x 970 x 370		
Net weight	Indoor		kg	28	33	
	Outdoor			82		
Ref.piping size	Liquid/Gas	ømm	9.52(3/8") / 15.88(5/8")			
Refrigerant line (one way) length		m	Max.50			
Vertical height differences	Outdoor is higher/lower	m	Max.50 / Max.15			
Outdoor operating temperature range	Cooling	°C	-15~50*2			
	Heating		-20~20			
Air filter, Q'ty			Pocket plastic net x 2(Washable)			
Remote control (option)			wired:RC-EX3A, RC-E5, RCH-E3 wireless:RCN-E-E3			

SPECIFICATIONS - FDE -

The values are for simultaneous Multi operation.

R410A		Micro Inverter			
Set model name		FDE200VSAPVH	FDE250VSAPVH	FDE140VSATVH	FDE200VSATVH
		Twin		Triple	
Indoor unit		FDE100VH x 2	FDE125VH x 2	FDE50VH x 3	FDE71VH x 3
Outdoor unit		FDC200VSA	FDC250VSA	FDC140VSA	FDC200VSA
Power source		3 Phase 380-415V, 50Hz / 380V, 60Hz			
Nominal cooling capacity (Min~Max)	kW	19.0 (5.2 ~ 22.4)	24.0 (6.9 ~ 28.0)	13.6 (5.0 ~ 14.5)	19.0 (5.2 ~ 22.4)
Nominal heating capacity (Min~Max)	kW	22.4 (3.3 ~ 25.0)	27.0 (5.5 ~ 31.5)	15.5 (4.0 ~ 16.5)	22.4 (3.3 ~ 25.0)
Power consumption	Cooling/Heating	6.34 / 6.10	8.52 / 7.54	4.74 / 4.21	6.33 / 5.94
EER/COP	Cooling/Heating	3.00 / 3.67	2.82 / 3.58	2.87 / 3.68	3.00 / 3.77
Inrush current		5	5	5	5
Max. current	A	20	21	15	20
Sound power level*1	Indoor*3	Cooling/Heating	64 / 64	64 / 64	60 / 60
	Outdoor	Cooling/Heating	72 / 74	73 / 75	73 / 73
Sound pressure level*1	Indoor*3	Cooling (P-Hi/Hi/Me/Lo)	48 / 43 / 38 / 34	48 / 45 / 40 / 35	46 / 38 / 36 / 31
	Outdoor	Heating (P-Hi/Hi/Me/Lo)	48 / 43 / 38 / 34	48 / 45 / 40 / 35	46 / 38 / 36 / 31
Air flow	Indoor*3	Cooling/Heating	58 / 59	59 / 62	57 / 59
	Outdoor	Cooling (P-Hi/Hi/Me/Lo)	32 / 26 / 21 / 16.5	32 / 29 / 23 / 17	13 / 10 / 9 / 7
		Heating (P-Hi/Hi/Me/Lo)	32 / 26 / 21 / 16.5	32 / 29 / 23 / 17	13 / 10 / 9 / 7
		Cooling/Heating	135 / 135	143 / 151	75 / 73
Exterior dimensions	Indoor	HeightxWidthxDepth	250 x 1,620 x 690	210 x 1,070 x 690	210 x 1,320 x 690
	Outdoor		1,300 x 970 x 370	1,505 x 970 x 370	1,300 x 970 x 370
Net weight	Indoor		43	28	33
	Outdoor		115	143	115
Ref.piping size	Liquid/Gas	ømm	9.52(3/8") / 22.22(7/8")	12.7(1/2") / 22.22(7/8")	9.52(3/8") / 15.88(5/8")
Refrigerant line (one way) length		m	Max.70	Max.50	Max.70
Vertical height differences	Outdoor is higher/lower	m	Max.30 / Max.15	Max.50 / Max.15	Max.30 / Max.15
Outdoor operating temperature range	Cooling	°C	-15~50*2		-15~50*2
	Heating		-15~20	-20~20	-15~20
Air filter, Q'ty			Pocket plastic net x 2(Washable)		
Remote control (option)			wired:RC-EX3A, RC-E5, RCH-E3 wireless:RCN-E-E3		

The values are for simultaneous Multi operation.

R410A		Micro Inverter			
Set model name		FDE200VSADVH	FDE250VSADVH	FDE250VSADVH	
		Double Twin			
Indoor unit		FDE50VH x 4	FDE60VH x 4	FDE60VH x 4	
Outdoor unit		FDC200VSA	FDC250VSA	FDC250VSA	
Power source		3 Phase 380-415V, 50Hz / 380V, 60Hz			
Nominal cooling capacity (Min~Max)	kW	19.0 (5.2 ~ 22.4)	24.0 (6.9 ~ 28.0)	24.0 (6.9 ~ 28.0)	
Nominal heating capacity (Min~Max)	kW	22.4 (3.3 ~ 25.0)	27.0 (5.5 ~ 31.5)	27.0 (5.5 ~ 31.5)	
Power consumption	Cooling/Heating	6.90 / 7.10	8.00 / 7.02	8.00 / 7.02	
EER/COP	Cooling/Heating	2.75 / 3.15	3.00 / 3.85	3.00 / 3.85	
Inrush current		5	5	5	
Max. current	A	20	21	21	
Sound power level*1	Indoor*3	Cooling/Heating	60 / 60	60 / 60	
	Outdoor	Cooling/Heating	72 / 74	73 / 75	
Sound pressure level*1	Indoor*3	Cooling (P-Hi/Hi/Me/Lo)	46 / 38 / 36 / 31	47 / 41 / 37 / 32	
	Outdoor	Heating (P-Hi/Hi/Me/Lo)	46 / 38 / 36 / 31	47 / 41 / 37 / 32	
Air flow	Indoor*3	Cooling/Heating	58 / 59	59 / 62	
	Outdoor	Cooling (P-Hi/Hi/Me/Lo)	13 / 10 / 9 / 7	20 / 16 / 13 / 10	
		Heating (P-Hi/Hi/Me/Lo)	13 / 10 / 9 / 7	20 / 16 / 13 / 10	
		Cooling/Heating	135 / 135	143 / 151	
Exterior dimensions	Indoor	HeightxWidthxDepth	210 x 1,070 x 690	210 x 1,320 x 690	
	Outdoor		1,300 x 970 x 370	1,505 x 970 x 370	
Net weight	Indoor		28	33	
	Outdoor		115	143	
Ref.piping size	Liquid/Gas	ømm	9.52(3/8") / 22.22(7/8")	12.7(1/2") / 22.22(7/8")	
Refrigerant line (one way) length		m	Max.70	Max.70	
Vertical height differences	Outdoor is higher/lower	m	Max.30 / Max.15	Max.30 / Max.15	
Outdoor operating temperature range	Cooling	°C	-15~50*2	-15~50*2	
	Heating		-15~20	-15~20	
Air filter, Q'ty			Pocket plastic net x 2(Washable)		
Remote control (option)			wired:RC-EX3A, RC-E5, RCH-E3 wireless:RCN-E-E3		

NOTES:

The data are measured under the following conditions(R410A : ISO-T1, R32 : ISO-T1, H1).


Cooling:Indoor temp. of 27°CDB, 19°CWB, and outdoor temp. of 35°CDB. Heating:Indoor temp. of 20°CDB, and outdoor temp. of 7°CDB, 6°CWB.

*1 : Indicates the value in an anechoic chamber. During operation these values are somewhat higher due to ambient conditions.


*2 : If a cooling operation is conducted when the outdoor air temperature is -5°C or lower, the outdoor unit should be installed at a place where it is not influenced by natural wind. If wind blows, the low pressure will drop and compressor frequency will increase, this will cause the capacity to drop and may cause the unit to break down.

*3 : The values are for one indoor unit operation. (Multi system only)

The values are for simultaneous Multi operation.

 R32		Standard Inverter		
Set model name		FDE71VNPVH	FDE90VNPVH	FDE100VNPVH
Indoor unit		FDE71VH	FDE100VH	FDE100VH
Outdoor unit		FDC71VNP-W	FDC90VNP-W	FDC100VNP-W
Power source		1 Phase 220-240V, 50Hz / 220V, 60Hz		
Nominal cooling capacity (Min~Max)		kW 7.1 (1.5 ~ 7.3)	9.0 (2.1 ~ 9.5)	10.0 (2.1 ~ 10.2)
Nominal heating capacity (Min~Max)		kW 7.1 (1.1 ~ 7.3)	9.0 (1.7 ~ 9.5)	10.0 (1.7 ~ 10.4)
Power consumption	Cooling/Heating	kW 2.41 / 1.96	2.38 / 1.99	3.00 / 2.36
EER/COP	Cooling/Heating	2.95 / 3.62	3.78 / 4.52	3.33 / 4.24
Inrush current	A	5	5	5
Max. current		15.8	19	19
Sound power level*1	Indoor	Cooling/Heating	60 / 60	64 / 64
	Outdoor	Cooling/Heating	67 / 67	67 / 66
Sound pressure level*1	Indoor	Cooling (P-Hi/Hi/Me/Lo)	dB(A) 47 / 41 / 37 / 32	
		Heating (P-Hi/Hi/Me/Lo)	47 / 41 / 37 / 32	
	Outdoor	Cooling/Heating	48 / 43 / 38 / 34	
		Cooling/Heating	48 / 43 / 38 / 34	
Air flow	Indoor	Cooling (P-Hi/Hi/Me/Lo)	m³/min 20 / 16 / 13 / 10	
		Heating (P-Hi/Hi/Me/Lo)	20 / 16 / 13 / 10	
	Outdoor	Cooling/Heating	32 / 26 / 21 / 16.5	
			32 / 26 / 21 / 16.5	
Exterior dimensions	Indoor	HeightxWidthxDepth	mm 210 x 1,320 x 690	
	Outdoor		250 x 1,620 x 690	
Net weight	Indoor		kg 640 x 800(+71) x 290	
	Outdoor		750 x 880(+88) x 340	
Ref.piping size	Liquid/Gas	ømm	6.35(1/4") / 12.7(1/2")	
Refrigerant line (one way) length		m	Max.30	
Vertical height differences	Outdoor is higher/lower	m	Max.20 / Max.20	
Outdoor operating temperature range	Cooling	°C	-15~46*2	
	Heating		-15~20	
Air filter, Q'ty			Pocket Plastic net x2(Washable)	
Remote control (option)			wired:RC-EX3A, RC-E5, RCH-E3 wireless:RCN-E-E3	

The values are for simultaneous Multi operation.

 R410A		Standard Inverter		
Set model name		FDE71VNPVH	FDE90VNP1VH	FDE100VNP1VH
Indoor unit		FDE71VH	FDE100VH	FDE100VH
Outdoor unit		FDC71VNP	FDC90VNP1	FDC100VNP
Power source		1 Phase 220-240V, 50Hz / 220V, 60Hz		
Nominal cooling capacity (Min~Max)		kW 7.1 (1.4 ~ 7.1)	9.0 (1.9 ~ 9.0)	10.0 (2.8 ~ 11.2)
Nominal heating capacity (Min~Max)		kW 7.1 (1.0 ~ 7.1)	9.0 (1.5 ~ 9.0)	11.2 (2.5 ~ 12.5)
Power consumption	Cooling/Heating	kW 2.50 / 1.96	2.75 / 2.22	2.66 / 2.94
EER/COP	Cooling/Heating	2.84 / 3.62	3.27 / 4.05	3.76 / 3.81
Inrush current	A	5	5	5
Max. current		14.5	18	21
Sound power level*1	Indoor	Cooling/Heating	60 / 60	
	Outdoor	Cooling/Heating	64 / 64	
Sound pressure level*1	Indoor	Cooling (P-Hi/Hi/Me/Lo)	dB(A) 67 / 67	
		Heating (P-Hi/Hi/Me/Lo)	69 / 69	
	Outdoor	Cooling (P-Hi/Hi/Me/Lo)	47 / 41 / 37 / 32	
		Heating (P-Hi/Hi/Me/Lo)	48 / 43 / 38 / 34	
Air flow	Indoor	Cooling/Heating	48 / 43 / 38 / 34	
		Cooling/Heating	48 / 43 / 38 / 34	
	Outdoor	Cooling/Heating	57 / 55	
			57 / 61	
Exterior dimensions	Indoor	Cooling (P-Hi/Hi/Me/Lo)	m³/min 20 / 16 / 13 / 10	
		Heating (P-Hi/Hi/Me/Lo)	20 / 16 / 13 / 10	
	Outdoor	Cooling/Heating	32 / 26 / 21 / 16.5	
			32 / 26 / 21 / 16.5	
Net weight	Indoor	HeightxWidthxDepth	mm 210 x 1,320 x 690	
	Outdoor		250 x 1,620 x 690	
Ref.piping size	Liquid/Gas	ømm	6.35(1/4") / 12.7(1/2")	
Refrigerant line (one way) length		m	Max.30	
Vertical height differences	Outdoor is higher/lower	m	Max.20 / Max.20	
Outdoor operating temperature range	Cooling	°C	-15~46*2	
	Heating		-15~20	
Air filter, Q'ty			Pocket Plastic net x2(Washable)	
Remote control (option)			wired:RC-EX3A, RC-E5, RCH-E3 wireless:RCN-E-E3	