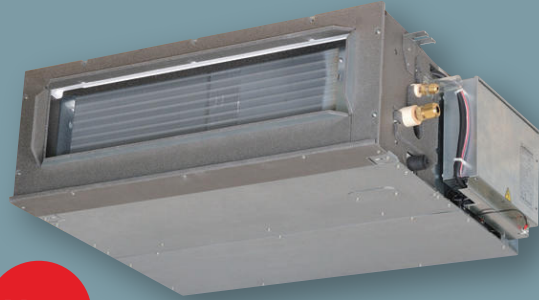


FDUM

Indoor Unit
Duct Connected
-Low/Middle Static pressure-



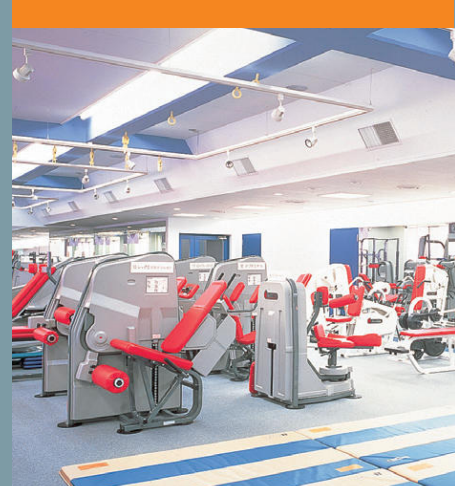
New

FDUM 40/50/60/71/100/125/140

Filter kit (option)



UM-FL1EF : for 40, 50
 UM-FL2EF : for 60, 71
 UM-FL3EF : for 100, 125, 140
 external static pressure loss:5Pa



- Energy Saving
- Automatic Operation
- Silent Operation
- Hi Power
- Weekly/Sleep/Peak-Cut Timer
- Self-Diagnostics



Remote control (option)

Wired			Wireless	
RC-EX3A	RC-E5	RCH-E3	RCN-KIT4-E2	

*Not all functions available with all remote control options.

Thin Design

The height of all FDUM models is only 280mm.

FDUM100/125/140		FDUM40/50/60/71	
70mm less		19mm less	
H 350mm	H 280mm	H 299mm	H 280mm

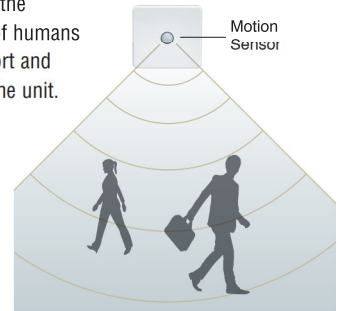
Motion Sensor (Option)

New

Motion sensor is equipped in the ceiling plane or wall plane and detects the presence/absence and activity of humans in a room to improve the comfort and energy saving performance of the unit.



LB-KIT



Automatic External Static Pressure (E.S.P.) Control

Duct design was simplified. Using DC motor, the most optimum air flow volume can be achieved by this automatic control. Indoor unit will recognize external static pressure by itself automatically and keep rated air flow volume.

RC-E5 E.S.P. button

External Static Pressure (E.S.P.) can be set by E.S.P. button.

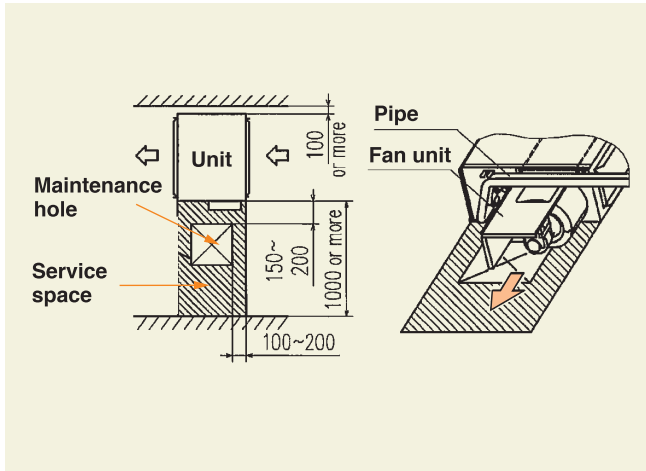


Keep the same air flow volume

Setting No.	No.1	No.2	No.3	No.4	No.5	No.6	No.7	No.8	No.9	No.10
E.S.P.	10 Pa	20 Pa	30 Pa	40 Pa	50 Pa	60 Pa	70 Pa	80 Pa	90 Pa	100 Pa

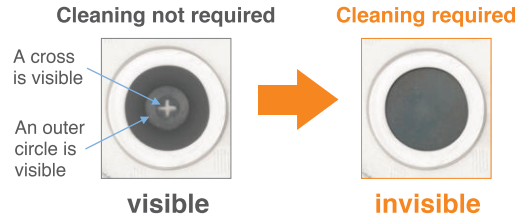
Improvement of the Serviceability

Fan unit (impeller and motor) can be pulled out from the right side of the unit. Maintenance can be available from the right side or the bottom side.



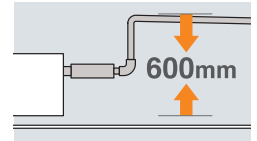
Transparent Inspection Window

Dirt condition of the bottom of a drain pan can be checked through this transparent inspection window without removing drain pan.



Enhanced Installation Workability

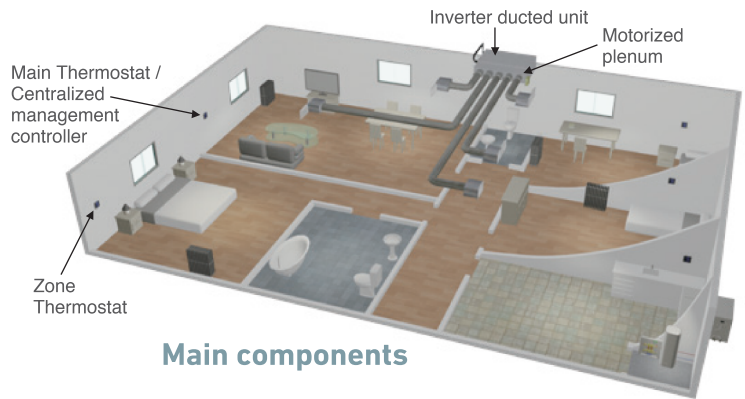
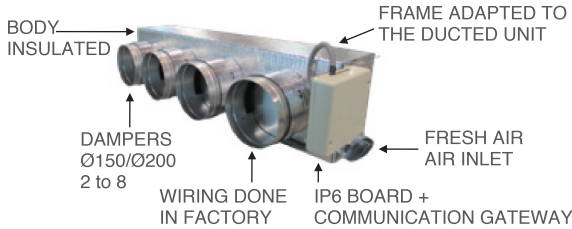
600mm Drain Pump is mounted in all models. The indoor unit is completely hidden in the ceiling, so this is suitable for spaces with classy interior decoration.



Round Duct Adapter

AIRZONE Company: AIRZONE
URL: <http://www.airzone.es>

All-in-one solution: the whole zoning system in a plug&play device perfectly adapted to the indoor DX unit



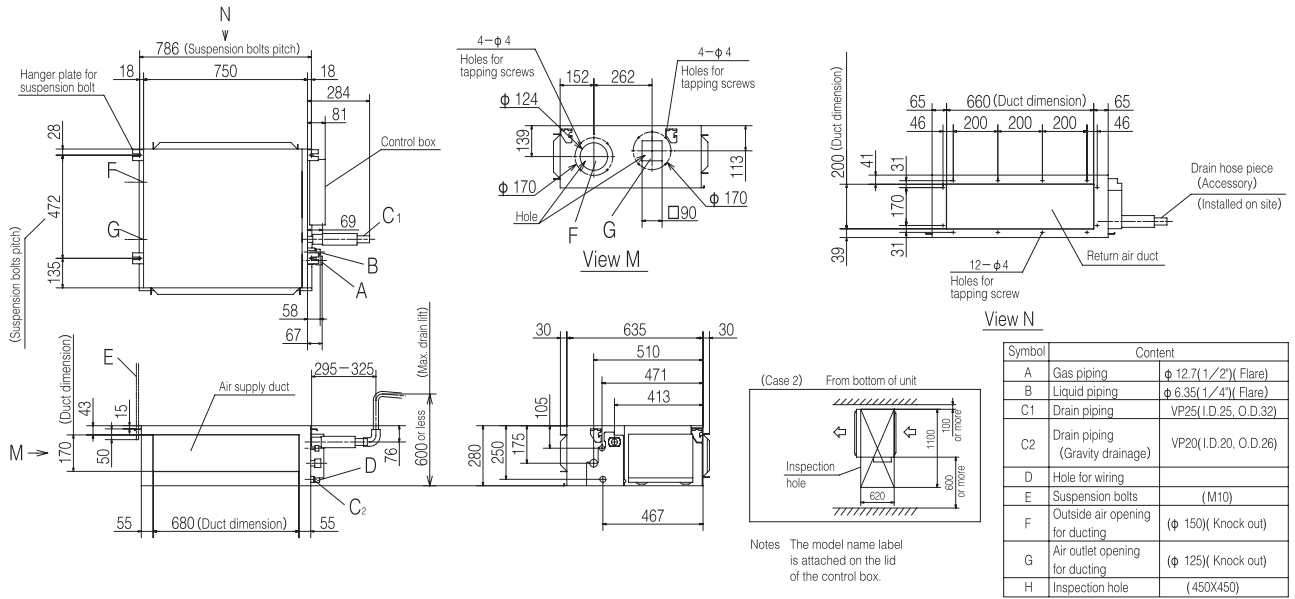
OUTDOOR UNIT

		Hyper Inverter		
SRC · FDC		40~60ZSX-W1	71VNX-W	—
		40~60ZSX-S	71VNX	100~140VN(S)X
model				
Chargeless		15m	30m	
Height x Width x Depth (mm)		640 x 800(+71) x 290	750 x 880(+88) x 340	1,300 x 970 x 370

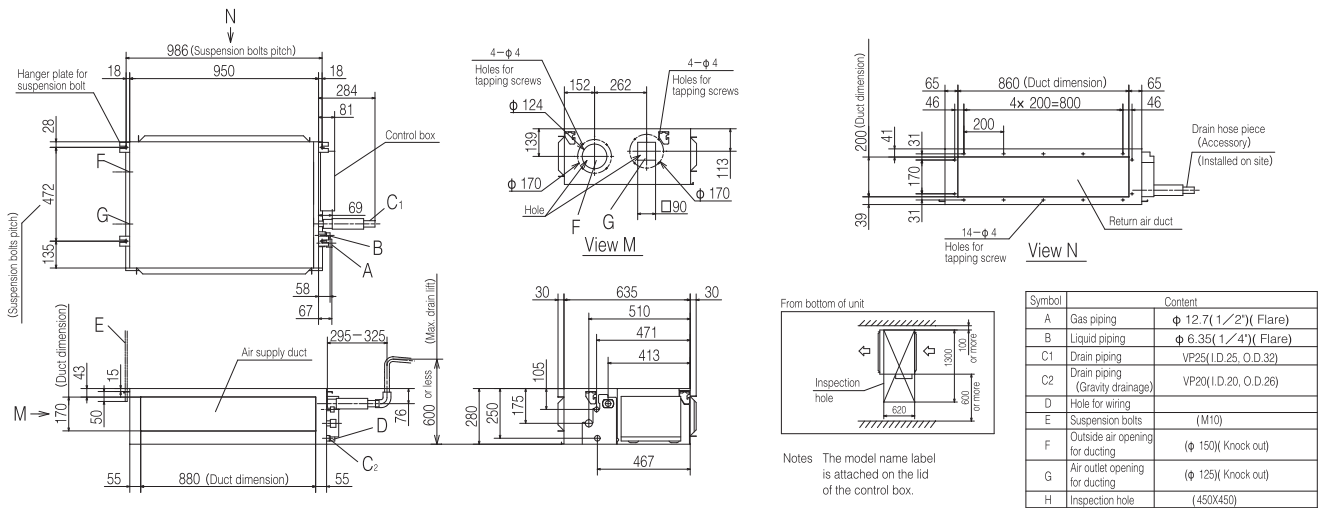
		Micro Inverter			Standard Inverter		
FDC		100~140VN(S)A-W	—	—	71VNP-W	90~100VNP-W	—
		100~140VN(S)A	200VSA	250VSA	71VNP	90VNP1	100VNP
model							
Chargeless		30m			15m		
Height x Width x Depth (mm)		845 x 970 x 370	1,300 x 970 x 370	1,505 x 970 x 370	640 x 800(+71) x 290	750 x 880(+88) x 340	845 x 970 x 370

DIMENSIONS (Unit:mm) - FDUM -

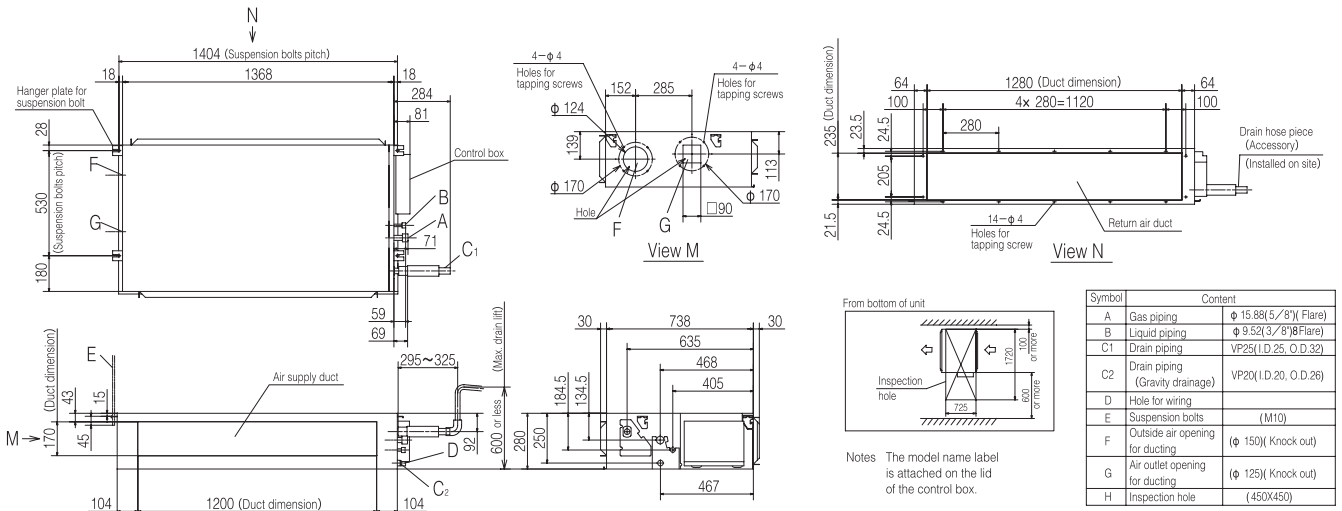
Models FDUM40VH, 50VH



Models FDUM60VH,71VH



Models FDUM100VH,125VH,140VH



SPECIFICATIONS - FDUM -

The values are for simultaneous Multi operation.(except single use)

R32			Hyper Inverter				
Set model name			FDUM40ZSXW1VH	FDUM50ZSXW1VH	FDUM60ZSXW1VH	FDUM71VNXWVH	FDUM71VNXWPVH
Indoor unit			FDUM40VH	FDUM50VH	FDUM60VH	FDUM71VH	FDUM40VH x 2
Outdoor unit			SRC40ZSX-W1	SRC50ZSX-W1	SRC60ZSX-W1	FDC71VNX-W	FDC71VNX-W
Power source			1 Phase 220-240V, 50Hz / 220V, 60Hz				
Nominal cooling capacity (Min~Max)			4.0 (1.1 ~ 4.7)	5.0 (1.1 ~ 5.6)	5.6 (1.1 ~ 6.3)	7.1 (3.2 ~ 8.0)	7.1 (3.2 ~ 8.0)
Nominal heating capacity (Min~Max)			4.5 (0.6 ~ 5.4)	5.4 (0.6 ~ 6.3)	6.7 (0.6 ~ 7.1)	8.0 (3.6 ~ 9.0)	8.0 (3.6 ~ 9.0)
Power consumption			1.10 / 1.10	1.51 / 1.59	1.54 / 1.75	1.77 / 1.78	1.76 / 1.80
EER/COP			3.62 / 4.09	3.31 / 3.39	3.64 / 3.83	4.01 / 4.49	4.03 / 4.44
Inrush current			5	5	5	5	5
Max. current			15	15	15	20	20
Sound power level*1	Indoor	Cooling/Heating	60 / 60	60 / 60	60 / 60	65 / 65	60 / 60
	Outdoor	Cooling/Heating	63 / 62	63 / 62	65 / 65	66 / 66	66 / 66
Sound pressure level*1	Indoor	Cooling (P-Hi/Hi/Me/Lo)	37 / 32 / 29 / 26	37 / 32 / 29 / 26	36 / 31 / 28 / 25	38 / 33 / 29 / 25	37 / 32 / 29 / 26
		Heating (P-Hi/Hi/Me/Lo)	37 / 32 / 29 / 26	37 / 32 / 29 / 26	36 / 31 / 28 / 25	38 / 33 / 29 / 25	37 / 32 / 29 / 26
	Outdoor	Cooling/Heating	52 / 50	52 / 50	53 / 54	51 / 51	51 / 51
		Cooling (P-Hi/Hi/Me/Lo) Heating (P-Hi/Hi/Me/Lo)	13 / 10 / 9 / 8 13 / 10 / 9 / 8	13 / 10 / 9 / 8 13 / 10 / 9 / 8	20 / 15 / 13 / 10 20 / 15 / 13 / 10	24 / 19 / 15 / 10 24 / 19 / 15 / 10	13 / 10 / 9 / 8 13 / 10 / 9 / 8
Air flow			m ³ /min				
External static pressure*2			Pa				
Exterior dimensions			mm				
Indoor	Outdoor	HeightxWidthxDepth	280 x 750 x 635		280 x 950 x 635	280 x 950 x 635	280 x 750 x 635
			640 x 800(+71) x 290		750 x 880(+88) x 340		
Net weight	Indoor		29		34	34	29
	Outdoor		45		60		
Ref.piping size	Liquid/Gas	ømm	6.35(1/4") / 12.7(1/2")			9.52(3/8") / 15.88(5/8")	
Refrigerant line (one way) length			m				
Vertical height differences			Outdoor is higher/lower				
Outdoor operating temperature range			Cooling				
			Heating				
Air filter (option)			Filter kit : UM-FL1EF		Filter kit : UM-FL2EF		Filter kit : UM-FL1EF
Remote control (option)			wired:RC-EX3A, RC-E5, RCH-E3 wireless:RCN-KIT4-E2				

R410A			Hyper Inverter		
Set model name			FDUM40ZSXVH	FDUM50ZSXVH	FDUM60ZSXVH
Indoor unit			FDUM40VH	FDUM50VH	FDUM60VH
Outdoor unit			SRC40ZSX-S	SRC50ZSX-S	SRC60ZSX-S
Power source			1 Phase 220-240V, 50Hz / 220V, 60Hz		
Nominal cooling capacity (Min~Max)			4.0 (1.1 ~ 4.7)	5.0 (1.1 ~ 5.6)	5.6 (1.1 ~ 6.3)
Nominal heating capacity (Min~Max)			4.5 (0.6 ~ 5.4)	5.4 (0.6 ~ 6.3)	6.7 (0.6 ~ 7.1)
Power consumption			0.952 / 1.07	1.38 / 1.45	1.54 / 1.75
EER/COP			4.20 / 4.21	3.62 / 3.72	3.64 / 3.83
Inrush current			5	5	5
Max. current			12	15	15
Sound power level*1	Indoor	Cooling/Heating	60 / 60	60 / 60	60 / 60
	Outdoor	Cooling/Heating	63 / 63	63 / 63	65 / 64
Sound pressure level*1	Indoor	Cooling (P-Hi/Hi/Me/Lo)	37 / 32 / 29 / 26	37 / 32 / 29 / 26	36 / 31 / 28 / 25
		Heating (P-Hi/Hi/Me/Lo)	37 / 32 / 29 / 26	37 / 32 / 29 / 26	36 / 31 / 28 / 25
	Outdoor	Cooling/Heating	50 / 49	50 / 49	52 / 52
		Cooling (P-Hi/Hi/Me/Lo) Heating (P-Hi/Hi/Me/Lo)	13 / 10 / 9 / 8 13 / 10 / 9 / 8	13 / 10 / 9 / 8 13 / 10 / 9 / 8	20 / 15 / 13 / 10 20 / 15 / 13 / 10
Air flow			m ³ /min		
External static pressure*2			Pa		
Exterior dimensions			mm		
Indoor	Outdoor	HeightxWidthxDepth	280 x 750 x 635		280 x 950 x 635
			640 x 800(+71) x 290		34
Net weight	Indoor		29		34
	Outdoor		45		
Ref.piping size	Liquid/Gas	ømm	6.35(1/4") / 12.7(1/2")		
Refrigerant line (one way) length			m		
Vertical height differences			Outdoor is higher/lower		
Outdoor operating temperature range			Cooling		
			Heating		
Air filter (option)			Filter kit : UM-FL1EF		Filter kit : UM-FL2EF
Remote control (option)			wired:RC-EX3A, RC-E5, RCH-E3 wireless:RCN-KIT4-E2		

NOTES:

The data are measured under the following conditions(R410A : ISO-T1, R32 : ISO-T1, H1).
 Cooling:Indoor temp. of 27°CDB, 19°CWB, and outdoor temp. of 35°CDB. Heating:Indoor temp. of 20°CDB, and outdoor temp. of 7°CDB, 6°CWB.
 *1 : Indicates the value in an anechoic chamber. During operation these values are somewhat higher due to ambient conditions.
 *2 : External static pressure is changeable to be set by the remote control. MAX external static pressure is "High static pressure" setting. The values of sound pressure level become 5dB(A) higher at external static pressure of 100Pa.
 *3 : If a cooling operation is conducted when the outdoor air temperature is -5°C or lower, the outdoor unit should be installed at a place where it is not influenced by natural wind. If wind blows, the low pressure will drop and compressor frequency will increase, this will cause the capacity to drop and may cause the unit to break down.

SPECIFICATIONS - FDUM -

R410A		Hyper Inverter			
Set model name		FDUM71VNXVH	FDUM100VNXVH	FDUM125VNXVH	FDUM140VNXVH
Indoor unit		FDUM71VH	FDUM100VH	FDUM125VH	FDUM140VH
Outdoor unit		FDC71VNX	FDC100VNX	FDC125VNX	FDC140VNX
Power source		1 Phase 220-240V, 50Hz / 220V, 60Hz			
Nominal cooling capacity (Min~Max)	kW	7.1 (3.2 ~ 8.0)	10.0 (4.0 ~ 11.2)	12.5 (5.0 ~ 14.0)	14.0 (5.0 ~ 16.0)
Nominal heating capacity (Min~Max)	kW	8.0 (3.6 ~ 9.0)	11.2 (4.0 ~ 12.5)	14.0 (4.0 ~ 17.0)	16.0 (4.0 ~ 18.0)
Power consumption	Cooling/Heating	2.03 / 1.99	2.68 / 3.02	3.49 / 3.77	4.28 / 4.42
EER/COP	Cooling/Heating	3.50 / 4.02	3.73 / 3.71	3.58 / 3.71	3.27 / 3.62
Inrush current		5	5	5	5
Max. current		17	24	26	26
Sound power level*1	Indoor	65 / 65	65 / 65	67 / 67	70 / 70
	Outdoor	66 / 66	70 / 70	70 / 70	72 / 72
Sound pressure level*1	Indoor	38 / 33 / 29 / 25	44 / 38 / 36 / 30	45 / 40 / 34 / 29	47 / 40 / 35 / 30
	Outdoor	38 / 33 / 29 / 25	44 / 38 / 36 / 30	45 / 40 / 34 / 29	47 / 40 / 35 / 30
Air flow	Indoor	24 / 19 / 15 / 10	36 / 28 / 25 / 19	39 / 32 / 26 / 20	48 / 35 / 28 / 22
	Outdoor	24 / 19 / 15 / 10	36 / 28 / 25 / 19	39 / 32 / 26 / 20	48 / 35 / 28 / 22
External static pressure*2	Pa	Standard:35 Max:100	Standard:60 Max:100		
Exterior dimensions	Indoor	280 x 950 x 635		280 x 1,370 x 740	
	Outdoor	750 x 880(+88) x 340		1,300 x 970 x 370	
Net weight	Indoor	34		54	
	Outdoor	60		105	
Ref.piping size	Liquid/Gas	ømm 9.52(3/8") / 15.88(5/8")			
Refrigerant line (one way) length	m	Max.50	Max.100		
Vertical height differences	Outdoor is higher/lower	Max.30 / Max.15			
Outdoor operating temperature range	Cooling	-15~43*3			
	Heating	-20~20			
Air filter (option)		Filter kit : UM-FL2EF	Filter kit : UM-FL3EF		
Remote control (option)		wired:RC-EX3A, RC-E5, RCH-E3 wireless:RCN-KIT4-E2			

R410A		Hyper Inverter		
Set model name		FDUM100VSXVH	FDUM125VSXVH	FDUM140VSXVH
Indoor unit		FDUM100VH	FDUM125VH	FDUM140VH
Outdoor unit		FDC100VSX	FDC125VSX	FDC140VSX
Power source		3 Phase 380-415V, 50Hz / 380V, 60Hz		
Nominal cooling capacity (Min~Max)	kW	10.0 (4.0 ~ 11.2)	12.5 (5.0 ~ 14.0)	14.0 (5.0 ~ 16.0)
Nominal heating capacity (Min~Max)	kW	11.2 (4.0 ~ 16.0)	14.0 (4.0 ~ 18.0)	16.0 (4.0 ~ 20.0)
Power consumption	Cooling/Heating	2.68 / 3.02	3.49 / 3.77	4.28 / 4.42
EER/COP	Cooling/Heating	3.73 / 3.71	3.58 / 3.71	3.27 / 3.62
Inrush current		5	5	5
Max. current		15	15	15
Sound power level*1	Indoor	65 / 65	67 / 67	70 / 70
	Outdoor	70 / 70	70 / 70	72 / 72
Sound pressure level*1	Indoor	44 / 38 / 36 / 30	45 / 40 / 34 / 29	47 / 40 / 35 / 30
	Outdoor	44 / 38 / 36 / 30	45 / 40 / 34 / 29	47 / 40 / 35 / 30
Air flow	Indoor	36 / 28 / 25 / 19	39 / 32 / 26 / 20	48 / 35 / 28 / 22
	Outdoor	36 / 28 / 25 / 19	39 / 32 / 26 / 20	48 / 35 / 28 / 22
External static pressure*2	Pa	Standard:60 Max:100		
Exterior dimensions	Indoor	280 x 1,370 x 740		
	Outdoor	1,300 x 970 x 370		
Net weight	Indoor	54		
	Outdoor	105		
Ref.piping size	Liquid/Gas	ømm 9.52(3/8") / 15.88(5/8")		
Refrigerant line (one way) length	m	Max.100		
Vertical height differences	Outdoor is higher/lower	Max.30 / Max.15		
Outdoor operating temperature range	Cooling	-15~43*3		
	Heating	-20~20		
Air filter (option)		Filter kit : UM-FL3EF		
Remote control (option)		wired:RC-EX3A, RC-E5, RCH-E3 wireless:RCN-KIT4-E2		

NOTES:

<p>The data are measured under the following conditions(ISO-T1). Cooling:Indoor temp. of 27°CDB, 19°CWB, and outdoor temp. of 35°CDB. Heating:Indoor temp. of 20°CDB, and outdoor temp. of 7°CDB, 6°CWB. *1 : Indicates the value in an anechoic chamber. During operation these values are somewhat higher due to ambient conditions. *2 : External static pressure is changeable to be set by the remote control. MAX external static pressure is "High static pressure" setting. The values of sound pressure level become 5dB(A) higher at external static pressure of 100Pa. *3 : If a cooling operation is conducted when the outdoor air temperature is -5°C or lower, the outdoor unit should be installed at a place where it is not influenced by natural wind. If wind blows, the low pressure will drop and compressor frequency will increase, this will cause the capacity to drop and may cause the unit to break down. *4 : The values are for one indoor unit operation. (Multi system only)</p>
--

The values are for simultaneous Multi operation.

R410A		Hyper Inverter				
Set model name		FDUM71VNXPVH	FDUM100VNXPVH	FDUM125VNXPVH	FDUM140VNXPVH	FDUM140VNXTVH
		Twin			Triple	
Indoor unit		FDUM40VH x 2	FDUM50VH x 2	FDUM60VH x 2	FDUM71VH x 2	FDUM50VH x 3
Outdoor unit		FDC71VNX	FDC100VNX	FDC125VNX	FDC140VNX	FDC140VNX
Power source		1 Phase 220-240V, 50Hz / 220V, 60Hz				
Nominal cooling capacity (Min-Max)	kW	7.1 (3.2 ~ 8.0)	10.0 (4.0 ~ 11.2)	12.5 (5.0 ~ 14.0)	14.0 (5.0 ~ 16.0)	14.0 (5.0 ~ 16.0)
Nominal heating capacity (Min-Max)	kW	8.0 (3.6 ~ 9.0)	11.2 (4.0 ~ 12.5)	14.0 (4.0 ~ 17.0)	16.0 (4.0 ~ 18.0)	16.0 (4.0 ~ 18.0)
Power consumption	Cooling/Heating	2.01 / 1.91	2.66 / 3.02	3.26 / 3.66	4.36 / 4.35	4.21 / 4.69
EER/COP	Cooling/Heating	3.53 / 4.19	3.76 / 3.71	3.83 / 3.83	3.21 / 3.68	3.33 / 3.41
Inrush current		5	5	5	5	5
Max. current		17	24	26	26	26
Sound power level*1	Indoor+4	Cooling/Heating	60 / 60	60 / 60	60 / 60	65 / 65
	Outdoor	Cooling/Heating	66 / 66	70 / 70	70 / 70	72 / 72
Sound pressure level*1	Indoor+4	Cooling (P-Hi/Hi/Me/Lo)	37 / 32 / 29 / 26	37 / 32 / 29 / 26	36 / 31 / 28 / 25	38 / 33 / 29 / 25
	Outdoor	Heating (P-Hi/Hi/Me/Lo)	37 / 32 / 29 / 26	37 / 32 / 29 / 26	36 / 31 / 28 / 25	38 / 33 / 29 / 25
Air flow	Indoor+4	Cooling (P-Hi/Hi/Me/Lo)	13 / 10 / 9 / 8	13 / 10 / 9 / 8	20 / 15 / 13 / 10	24 / 19 / 15 / 10
	Outdoor	Heating (P-Hi/Hi/Me/Lo)	13 / 10 / 9 / 8	13 / 10 / 9 / 8	20 / 15 / 13 / 10	24 / 19 / 15 / 10
	Outdoor	Cooling/Heating	60 / 50	100 / 100	100 / 100	100 / 100
External static pressure*2	Pa	Standard:35 Max:100				
Exterior dimensions	Indoor	HeightxWidthxDepth	280 x 750 x 635		280 x 950 x 635	280 x 750 x 635
	Outdoor		750 x 880(+88) x 340		1,300 x 970 x 370	
Net weight	Indoor		29		34	29
	Outdoor		60		105	
Ref.piping size	Liquid/Gas	ømm 9.52(3/8") / 15.88(5/8")				
Refrigerant line (one way) length	m	Max.50		Max.100		
Vertical height differences	Outdoor is higher/lower	m Max.30 / Max.15				
Outdoor operating temperature range	Cooling	°C -15~43*3				
	Heating	°C -20~20				
Air filter (option)		Filter kit : UM-FL1EF		Filter kit : UM-FL2EF		Filter kit : UM-FL1EF
Remote control (option)		wired:RC-EX3A, RC-E5, RCH-E3 wireless:RCN-KIT4-E2				

The values are for simultaneous Multi operation.

R410A		Hyper Inverter			
Set model name		FDUM100VSXPVH	FDUM125VSXPVH	FDUM140VSXPVH	FDUM140VSXTVH
		Twin			Triple
Indoor unit		FDUM50VH x 2	FDUM60VH x 2	FDUM71VH x 2	FDUM50VH x 3
Outdoor unit		FDC100VSX	FDC125VSX	FDC140VSX	FDC140VSX
Power source		3 Phase 380-415V, 50Hz / 380V, 60Hz			
Nominal cooling capacity (Min-Max)	kW	10.0 (4.0 ~ 11.2)	12.5 (5.0 ~ 14.0)	14.0 (5.0 ~ 16.0)	14.0 (5.0 ~ 16.0)
Nominal heating capacity (Min-Max)	kW	11.2 (4.0 ~ 16.0)	14.0 (4.0 ~ 18.0)	16.0 (4.0 ~ 20.0)	16.0 (4.0 ~ 20.0)
Power consumption	Cooling/Heating	2.66 / 3.02	3.26 / 3.66	4.36 / 4.35	4.21 / 4.69
EER/COP	Cooling/Heating	3.76 / 3.71	3.83 / 3.83	3.21 / 3.68	3.33 / 3.41
Inrush current		5	5	5	5
Max. current		15	15	15	15
Sound power level*1	Indoor+4	Cooling/Heating	60 / 60	60 / 60	65 / 65
	Outdoor	Cooling/Heating	70 / 70	70 / 70	72 / 72
Sound pressure level*1	Indoor+4	Cooling (P-Hi/Hi/Me/Lo)	37 / 32 / 29 / 26	36 / 31 / 28 / 25	38 / 33 / 29 / 25
	Outdoor	Heating (P-Hi/Hi/Me/Lo)	37 / 32 / 29 / 26	36 / 31 / 28 / 25	38 / 33 / 29 / 25
Air flow	Indoor+4	Cooling (P-Hi/Hi/Me/Lo)	13 / 10 / 9 / 8	20 / 15 / 13 / 10	24 / 19 / 15 / 10
	Outdoor	Heating (P-Hi/Hi/Me/Lo)	13 / 10 / 9 / 8	20 / 15 / 13 / 10	24 / 19 / 15 / 10
	Outdoor	Cooling/Heating	100 / 100	100 / 100	100 / 100
External static pressure*2	Pa	Standard:35 Max:100			
Exterior dimensions	Indoor	HeightxWidthxDepth	280 x 750 x 635		280 x 950 x 635
	Outdoor				1,300 x 970 x 370
Net weight	Indoor		29		34
	Outdoor		60		105
Ref.piping size	Liquid/Gas	ømm 9.52(3/8") / 15.88(5/8")			
Refrigerant line (one way) length	m	Max.100			
Vertical height differences	Outdoor is higher/lower	m Max.30 / Max.15			
Outdoor operating temperature range	Cooling	°C -15~43*3			
	Heating	°C -20~20			
Air filter (option)		Filter kit : UM-FL1EF		Filter kit : UM-FL2EF	
Remote control (option)		wired:RC-EX3A, RC-E5, RCH-E3 wireless:RCN-KIT4-E2			

SPECIFICATIONS - FDUM -

R32			Micro Inverter		
Set model name			FDUM100VNAWVH	FDUM125VNAWVH	FDUM140VNAWVH
Indoor unit			FDUM100VH	FDUM125VH	FDUM140VH
Outdoor unit			FDC100VNA-W	FDC125VNA-W	FDC140VNA-W
Power source			1 Phase 220-240V, 50Hz / 220V, 60Hz		
Nominal cooling capacity (Min~Max)			kW 10.0 (4.0 ~ 11.2)	12.5 (5.0 ~ 14.0)	13.6 (5.0 ~ 14.5)
Nominal heating capacity (Min~Max)			kW 11.2 (4.0 ~ 12.5)	14.0 (4.0 ~ 16.0)	15.5 (4.0 ~ 16.5)
Power consumption			Cooling/Heating kW 2.99 / 2.66	4.36 / 3.69	5.13 / 4.21
EER/COP			Cooling/Heating 3.35 / 4.21	2.87 / 3.79	2.65 / 3.68
Inrush current			A		
Max. current			5	5	5
			26	26	27
Sound power level*1	Indoor	Cooling/Heating	65 / 65	67 / 67	70 / 70
	Outdoor	Cooling/Heating	69 / 70	71 / 71	72 / 73
Sound pressure level*1	Indoor	Cooling (P-Hi/Hi/Me/Lo)	dB(A) 44 / 38 / 36 / 30		
		Heating (P-Hi/Hi/Me/Lo)	44 / 38 / 36 / 30		
	Outdoor	Cooling/Heating	54 / 55		
		Cooling/Heating	54 / 56		
Air flow	Indoor	Cooling (P-Hi/Hi/Me/Lo)	m³/min 36 / 28 / 25 / 19		
		Heating (P-Hi/Hi/Me/Lo)	39 / 32 / 26 / 20		
	Outdoor	Cooling/Heating	48 / 35 / 28 / 22		
		Cooling/Heating	48 / 35 / 28 / 22		
External static pressure*2			Pa Standard:60 Max:100		
Exterior dimensions	Indoor	HeightxWidthxDepth	mm		
	Outdoor		280 x 1,370 x 740		
Net weight	Indoor		kg		
	Outdoor		845 x 970 x 370		
Ref.piping size			Liquid/Gas ømm 54		
Refrigerant line (one way) length			m 77		
Vertical height differences			Outdoor is higher/lower Max.50 / Max.15		
Outdoor operating temperature range			Cooling °C -15~50*3		
			Heating -20~20		
Air filter (option)			Filter kit : UM-FL3EF		
Remote control (option)			wired:RC-EX3A, RC-E5, RCH-E3 wireless:RCN-KIT4-E2		

R32			Micro Inverter		
Set model name			FDUM100VSAWVH	FDUM125VSAWVH	FDUM140VSAWVH
Indoor unit			FDUM100VH	FDUM125VH	FDUM140VH
Outdoor unit			FDC100VSA-W	FDC125VSA-W	FDC140VSA-W
Power source			3 Phase 380-415V, 50Hz / 380V, 60Hz		
Nominal cooling capacity (Min~Max)			kW 10.0 (4.0 ~ 11.2)	12.5 (5.0 ~ 14.0)	13.6 (5.0 ~ 14.5)
Nominal heating capacity (Min~Max)			kW 11.2 (4.0 ~ 12.5)	14.0 (4.0 ~ 16.0)	15.5 (4.0 ~ 16.5)
Power consumption			Cooling/Heating kW 2.99 / 2.66	4.36 / 3.69	5.13 / 4.21
EER/COP			Cooling/Heating 3.35 / 4.21	2.87 / 3.79	2.65 / 3.68
Inrush current			A		
Max. current			5	5	5
			17	17	18
Sound power level*1	Indoor	Cooling/Heating	65 / 65	67 / 67	70 / 70
	Outdoor	Cooling/Heating	69 / 70	71 / 71	72 / 73
Sound pressure level*1	Indoor	Cooling (P-Hi/Hi/Me/Lo)	dB(A) 44 / 38 / 36 / 30		
		Heating (P-Hi/Hi/Me/Lo)	44 / 38 / 36 / 30		
	Outdoor	Cooling/Heating	54 / 55		
		Cooling/Heating	54 / 56		
Air flow	Indoor	Cooling (P-Hi/Hi/Me/Lo)	m³/min 36 / 28 / 25 / 19		
		Heating (P-Hi/Hi/Me/Lo)	39 / 32 / 26 / 20		
	Outdoor	Cooling/Heating	48 / 35 / 28 / 22		
		Cooling/Heating	48 / 35 / 28 / 22		
External static pressure*2			Pa Standard:60 Max:100		
Exterior dimensions	Indoor	HeightxWidthxDepth	mm		
	Outdoor		280 x 1,370 x 740		
Net weight	Indoor		kg		
	Outdoor		845 x 970 x 370		
Ref.piping size			Liquid/Gas ømm 54		
Refrigerant line (one way) length			m 78		
Vertical height differences			Outdoor is higher/lower Max.50 / Max.15		
Outdoor operating temperature range			Cooling °C -15~50*3		
			Heating -20~20		
Air filter (option)			Filter kit : UM-FL3EF		
Remote control (option)			wired:RC-EX3A, RC-E5, RCH-E3 wireless:RCN-KIT4-E2		

NOTES:

<p>The data are measured under the following conditions(ISO-T1, H1). Cooling:Indoor temp. of 27°CDB, 19°CWB, and outdoor temp. of 35°CDB. Heating:Indoor temp. of 20°CDB, and outdoor temp. of 7°CDB, 6°CWB. *1 : Indicates the value in an anechoic chamber. During operation these values are somewhat higher due to ambient conditions. *2 : External static pressure is changeable to be set by the remote control. MAX external static pressure is "High static pressure" setting. The values of sound pressure level become 5dB(A) higher at external static pressure of 100Pa. *3 : If a cooling operation is conducted when the outdoor air temperature is -5°C or lower, the outdoor unit should be installed at a place where it is not influenced by natural wind. If wind blows, the low pressure will drop and compressor frequency will increase, this will cause the capacity to drop and may cause the unit to break down. *4 : The values are for one indoor unit operation. (Multi system only)</p>
--

The values are for simultaneous Multi operation.

R32			Micro Inverter		
Set model name			FDUM100VNAWPVH	FDUM125VNAWPVH	FDUM140VNAWPVH
			Twin		
Indoor unit			FDUM50VH x 2	FDUM60VH x 2	FDUM71VH x 2
Outdoor unit			FDC100VNA-W	FDC125VNA-W	FDC140VNA-W
Power source			1 Phase 220-240V, 50Hz / 220V, 60Hz		
Nominal cooling capacity (Min~Max)			10.0 (4.0 ~ 11.2)	12.5 (5.0 ~ 14.0)	13.6 (5.0 ~ 14.5)
Nominal heating capacity (Min~Max)			11.2 (4.0 ~ 12.5)	14.0 (4.0 ~ 16.0)	15.5 (4.0 ~ 16.5)
Power consumption	Cooling/Heating	kW	3.25 / 3.04	4.53 / 3.53	5.02 / 4.20
EER/COP	Cooling/Heating		3.08 / 3.68	2.76 / 3.98	2.71 / 3.69
Inrush current		A	5	5	5
Max. current			26	26	27
Sound power level*1	Indoor*4	Cooling/Heating	60 / 60	60 / 60	65 / 65
	Outdoor	Cooling/Heating	69 / 70	71 / 71	72 / 73
Sound pressure level*1	Indoor*4	Cooling (P-Hi/Hi/Me/Lo)	37 / 32 / 29 / 26	36 / 31 / 28 / 25	38 / 33 / 29 / 25
	Outdoor	Heating (P-Hi/Hi/Me/Lo)	37 / 32 / 29 / 26	36 / 31 / 28 / 25	38 / 33 / 29 / 25
Air flow	Indoor*4	Cooling/Heating	54 / 55	54 / 56	56 / 58
	Outdoor	Cooling (P-Hi/Hi/Me/Lo)	13 / 10 / 9 / 8	20 / 15 / 13 / 10	24 / 19 / 15 / 10
		Heating (P-Hi/Hi/Me/Lo)	13 / 10 / 9 / 8	20 / 15 / 13 / 10	24 / 19 / 15 / 10
	Outdoor	Cooling/Heating	75 / 73	75 / 73	75 / 73
External static pressure*2			Pa		
			Standard:35 Max:100		
Exterior dimensions	Indoor	HeightxWidthxDepth	280 x 750 x 635	280 x 950 x 635	
	Outdoor		845 x 970 x 370		
Net weight	Indoor		29	34	
	Outdoor		77		
Ref.piping size	Liquid/Gas	ømm	9.52(3/8") / 15.88(5/8")		
Refrigerant line (one way) length			m		
			Max.50		
Vertical height differences Outdoor is higher/lower			m		
			Max.50 / Max.15		
Outdoor operating temperature range	Cooling	°C	-15~50*3		
	Heating		-20~20		
Air filter (option)			Filter kit : UM-FL1EF	Filter kit : UM-FL2EF	
Remote control (option)			wired:RC-EX3A, RC-E5, RCH-E3 wireless:RCN-KIT4-E2		

The values are for simultaneous Multi operation.

R32			Micro Inverter		
Set model name			FDUM140VNAWTVH	FDUM100VSAWPVH	
			Triple		Twin
Indoor unit			FDUM50VH x 3	FDUM50VH x 2	
Outdoor unit			FDC140VNA-W	FDC100VSA-W	
Power source			1 Phase 220-240V, 50Hz / 220V, 60Hz	3 Phase 380-415V, 50Hz / 380V, 60Hz	
Nominal cooling capacity (Min~Max)			13.6 (5.0 ~ 14.5)	10.0 (4.0 ~ 11.2)	
Nominal heating capacity (Min~Max)			15.5 (4.0 ~ 16.5)	11.2 (4.0 ~ 12.5)	
Power consumption	Cooling/Heating	kW	5.02 / 4.20	3.25 / 3.04	
EER/COP	Cooling/Heating		2.71 / 3.69	3.08 / 3.68	
Inrush current		A	5	5	
Max. current			27	17	
Sound power level*1	Indoor*4	Cooling/Heating	60 / 60	60 / 60	
	Outdoor	Cooling/Heating	72 / 73	69 / 70	
Sound pressure level*1	Indoor*4	Cooling (P-Hi/Hi/Me/Lo)	37 / 32 / 29 / 26	37 / 32 / 29 / 26	
	Outdoor	Heating (P-Hi/Hi/Me/Lo)	37 / 32 / 29 / 26	37 / 32 / 29 / 26	
Air flow	Indoor*4	Cooling/Heating	56 / 58	54 / 55	
	Outdoor	Cooling (P-Hi/Hi/Me/Lo)	13 / 10 / 9 / 8	13 / 10 / 9 / 8	
		Heating (P-Hi/Hi/Me/Lo)	13 / 10 / 9 / 8	13 / 10 / 9 / 8	
	Outdoor	Cooling/Heating	75 / 73	75 / 73	
External static pressure*2			Pa		
			Standard:35 Max:100		
Exterior dimensions	Indoor	HeightxWidthxDepth	280 x 750 x 635	280 x 950 x 635	
	Outdoor		845 x 970 x 370		
Net weight	Indoor		29	34	
	Outdoor		77		
Ref.piping size	Liquid/Gas	ømm	9.52(3/8") / 15.88(5/8")		
Refrigerant line (one way) length			m		
			Max.50		
Vertical height differences Outdoor is higher/lower			m		
			Max.50 / Max.15		
Outdoor operating temperature range	Cooling	°C	-15~50*3		
	Heating		-20~20		
Air filter (option)			Filter kit : UM-FL1EF		
Remote control (option)			wired:RC-EX3A, RC-E5, RCH-E3 wireless:RCN-KIT4-E2		

SPECIFICATIONS - FDUM -

The values are for simultaneous Multi operation.

R32			Micro Inverter		
Set model name			FDUM125VSAWVPVH	FDUM140VSAWVPVH	FDUM140VSAWTVH
			Twin		Triple
Indoor unit			FDUM60VH x 2	FDUM71VH x 2	FDUM50VH x 3
Outdoor unit			FDC125VSA-W	FDC140VSA-W	FDC140VSA-W
Power source			3 Phase 380-415V, 50Hz / 380V, 60Hz		
Nominal cooling capacity (Min~Max)			kW 12.5 (5.0 ~ 14.0)	13.6 (5.0 ~ 14.5)	13.6 (5.0 ~ 14.5)
Nominal heating capacity (Min~Max)			kW 14.0 (4.0 ~ 16.0)	15.5 (4.0 ~ 16.5)	15.5 (4.0 ~ 16.5)
Power consumption			Cooling/Heating kW 4.53 / 3.52	5.02 / 4.20	5.02 / 4.20
EER/COP			Cooling/Heating 2.76 / 3.98	2.71 / 3.69	2.71 / 3.69
Inrush current			A 5	5	5
Max. current			17	18	18
Sound power level*1	Indoor*4	Cooling/Heating	60 / 60	65 / 65	60 / 60
	Outdoor	Cooling/Heating	71 / 71	72 / 73	72 / 73
Sound pressure level*1	Indoor*4	Cooling (P-Hi/Hi/Me/Lo)	dB(A) 36 / 31 / 28 / 25	38 / 33 / 29 / 25	37 / 32 / 29 / 26
		Heating (P-Hi/Hi/Me/Lo)			
	Outdoor	Cooling/Heating	54 / 56	56 / 58	56 / 58
		Cooling (P-Hi/Hi/Me/Lo)	20 / 15 / 13 / 10	24 / 19 / 15 / 10	13 / 10 / 9 / 8
Air flow	Indoor*4	Heating (P-Hi/Hi/Me/Lo)	20 / 15 / 13 / 10	24 / 19 / 15 / 10	13 / 10 / 9 / 8
		Outdoor	Cooling/Heating	75 / 73	75 / 73
External static pressure*2			Pa Standard:35 Max:100		
Exterior dimensions	Indoor	HeightxWidthxDepth	mm 280 x 950 x 635		280 x 750 x 635
	Outdoor		845 x 970 x 370		
Net weight	Indoor		kg 34		29
	Outdoor		78		
Ref.piping size	Liquid/Gas		ømm 9.52(3/8") / 15.88(5/8")		
Refrigerant line (one way) length			m Max.50		
Vertical height differences			Outdoor is higher/lower m Max.50 / Max.15		
Outdoor operating temperature range	Cooling	°C	-15~50*3		
	Heating		-20~20		
Air filter (option)			Filter kit : UM-FL2EF		Filter kit : UM-FL1EF
Remote control (option)			wired:RC-EX3A, RC-E5, RCH-E3 wireless:RCN-KIT4-E2		

R410A			Micro Inverter		
Set model name			FDUM100VNAVH	FDUM125VNAVH	FDUM140VNAVH
Indoor unit			FDUM100VH	FDUM125VH	FDUM140VH
Outdoor unit			FDC100VNA	FDC125VNA	FDC140VNA
Power source			1 Phase 220-240V, 50Hz / 220V, 60Hz		
Nominal cooling capacity (Min~Max)			kW 10.0 (4.0 ~ 11.2)	12.5 (5.0 ~ 14.0)	13.6 (5.0 ~ 14.5)
Nominal heating capacity (Min~Max)			kW 11.2 (4.0 ~ 12.5)	14.0 (4.0 ~ 16.0)	15.5 (4.0 ~ 16.5)
Power consumption			Cooling/Heating kW 2.84 / 2.78	4.36 / 3.69	4.93 / 4.21
EER/COP			Cooling/Heating 3.52 / 4.03	2.87 / 3.79	2.76 / 3.68
Inrush current			A 5	5	5
Max. current			26	26	27
Sound power level*1	Indoor	Cooling/Heating	65 / 65	67 / 67	70 / 70
	Outdoor	Cooling/Heating	70 / 70	71 / 71	73 / 73
Sound pressure level*1	Indoor	Cooling (P-Hi/Hi/Me/Lo)	dB(A) 44 / 38 / 36 / 30	45 / 40 / 34 / 29	47 / 40 / 35 / 30
		Heating (P-Hi/Hi/Me/Lo)			
	Outdoor	Cooling/Heating	54 / 56	55 / 57	57 / 59
		Cooling (P-Hi/Hi/Me/Lo)	36 / 28 / 25 / 19	39 / 32 / 26 / 20	48 / 35 / 28 / 22
Air flow	Indoor	Heating (P-Hi/Hi/Me/Lo)	36 / 28 / 25 / 19	39 / 32 / 26 / 20	48 / 35 / 28 / 22
		Outdoor	Cooling/Heating	75 / 73	75 / 73
External static pressure*2			Pa Standard:60 Max:100		
Exterior dimensions	Indoor	HeightxWidthxDepth	mm 280 x 1,370 x 740		845 x 970 x 370
	Outdoor		845 x 970 x 370		
Net weight	Indoor		kg 54		80
	Outdoor		80		
Ref.piping size	Liquid/Gas		ømm 9.52(3/8") / 15.88(5/8")		
Refrigerant line (one way) length			m Max.50		
Vertical height differences			Outdoor is higher/lower m Max.50 / Max.15		
Outdoor operating temperature range	Cooling	°C	-15~50*3		
	Heating		-20~20		
Air filter (option)			Filter kit : UM-FL3EF		
Remote control (option)			wired:RC-EX3A, RC-E5, RCH-E3 wireless:RCN-KIT4-E2		

NOTES:

<p>The data are measured under the following conditions(R410A : ISO-T1, R32 : ISO-T1, H1). Cooling:Indoor temp. of 27°CDB, 19°CWB, and outdoor temp. of 35°CDB. Heating:Indoor temp. of 20°CDB, and outdoor temp. of 7°CDB, 6°CWB. *1 : Indicates the value in an anechoic chamber. During operation these values are somewhat higher due to ambient conditions. *2 : External static pressure is changeable to be set by the remote control. MAX external static pressure is "High static pressure" setting. The values of sound pressure level become 5dB(A) higher at external static pressure of 100Pa. *3 : If a cooling operation is conducted when the outdoor air temperature is -5°C or lower, the outdoor unit should be installed at a place where it is not influenced by natural wind. If wind blows, the low pressure will drop and compressor frequency will increase, this will cause the capacity to drop and may cause the unit to break down. *4 : The values are for one indoor unit operation. (Multi system only)</p>
--

R410A		Micro Inverter		
Set model name		FDUM100VSAVH	FDUM125VSAVH	FDUM140VSAVH
Indoor unit		FDUM100VH	FDUM125VH	FDUM140VH
Outdoor unit		FDC100VSA	FDC125VSA	FDC140VSA
Power source		3 Phase 380-415V, 50Hz / 380V, 60Hz		
Nominal cooling capacity (Min~Max)	kW	10.0 (4.0 ~ 11.2)	12.5 (5.0 ~ 14.0)	13.6 (5.0 ~ 14.5)
Nominal heating capacity (Min~Max)	kW	11.2 (4.0 ~ 12.5)	14.0 (4.0 ~ 16.0)	15.5 (4.0 ~ 16.5)
Power consumption	Cooling/Heating	2.84 / 2.78	4.36 / 3.69	4.93 / 4.21
EER/COP	Cooling/Heating	3.52 / 4.03	2.87 / 3.79	2.76 / 3.68
Inrush current		5	5	5
Max. current		17	17	18
Sound power level*1	Indoor	65 / 65	67 / 67	70 / 70
	Outdoor	70 / 70	71 / 71	73 / 73
Sound pressure level*1	Indoor	44 / 38 / 36 / 30	45 / 40 / 34 / 29	47 / 40 / 35 / 30
	Outdoor	44 / 38 / 36 / 30	45 / 40 / 34 / 29	47 / 40 / 35 / 30
Air flow	Indoor	36 / 28 / 25 / 19	39 / 32 / 26 / 20	48 / 35 / 28 / 22
	Outdoor	36 / 28 / 25 / 19	39 / 32 / 26 / 20	48 / 35 / 28 / 22
External static pressure*2	Pa	Standard:60 Max:100		
Exterior dimensions	Indoor	280 x 1,370 x 740		
	Outdoor	845 x 970 x 370		
Net weight	Indoor	54		
	Outdoor	82		
Ref.piping size	Liquid/Gas	ømm 9.52(3/8") / 15.88(5/8")		
Refrigerant line (one way) length	m	Max.50		
Vertical height differences	Outdoor is higher/lower	Max.50 / Max.15		
Outdoor operating temperature range	Cooling	-15~50*3		
	Heating	-20~20		
Air filter (option)		Filter kit : UM-FL3EF		
Remote control (option)		wired:RC-EX3A, RC-E5, RCH-E3 wireless:RCN-KIT4-E2		

The values are for simultaneous Multi operation.

R410A		Micro Inverter		
Set model name		FDUM100VNAPVH	FDUM125VNAPVH	FDUM140VNAPVH
Indoor unit		FDUM50VH x 2	FDUM60VH x 2	FDUM71VH x 2
Outdoor unit		FDC100VNA	FDC125VNA	FDC140VNA
Power source		1 Phase 220-240V, 50Hz / 220V, 60Hz		
Nominal cooling capacity (Min~Max)	kW	10.0 (4.0 ~ 11.2)	12.5 (5.0 ~ 14.0)	13.6 (5.0 ~ 14.5)
Nominal heating capacity (Min~Max)	kW	11.2 (4.0 ~ 12.5)	14.0 (4.0 ~ 16.0)	15.5 (4.0 ~ 16.5)
Power consumption	Cooling/Heating	3.25 / 3.21	4.53 / 3.75	5.02 / 4.20
EER/COP	Cooling/Heating	3.08 / 3.49	2.76 / 3.73	2.71 / 3.69
Inrush current		5	5	5
Max. current		26	26	27
Sound power level*1	Indoor*4	60 / 60	60 / 60	65 / 65
	Outdoor	70 / 70	71 / 71	73 / 73
Sound pressure level*1	Indoor*4	37 / 32 / 29 / 26	36 / 31 / 28 / 25	38 / 33 / 29 / 25
	Outdoor	37 / 32 / 29 / 26	36 / 31 / 28 / 25	38 / 33 / 29 / 25
Air flow	Indoor*4	13 / 10 / 9 / 8	20 / 15 / 13 / 10	24 / 19 / 15 / 10
	Outdoor	13 / 10 / 9 / 8	20 / 15 / 13 / 10	24 / 19 / 15 / 10
External static pressure*2	Pa	Standard:35 Max:100		
Exterior dimensions	Indoor	280 x 750 x 635		
	Outdoor	845 x 970 x 370		
Net weight	Indoor	29		
	Outdoor	34		
Ref.piping size	Liquid/Gas	ømm 9.52(3/8") / 15.88(5/8")		
Refrigerant line (one way) length	m	Max.50		
Vertical height differences	Outdoor is higher/lower	Max.50 / Max.15		
Outdoor operating temperature range	Cooling	-15~50*3		
	Heating	-20~20		
Air filter (option)		Filter kit : UM-FL1EF	Filter kit : UM-FL2EF	
Remote control (option)		wired:RC-EX3A, RC-E5, RCH-E3 wireless:RCN-KIT4-E2		

SPECIFICATIONS - FDUM -

The values are for simultaneous Multi operation.

R410A			Micro Inverter			
Set model name			FDUM140VNATVH	FDUM100VSAPVH	FDUM125VSAPVH	FDUM140VSAPVH
			Triple	Twin	Twin	
Indoor unit			FDUM50VH x 3	FDUM50VH x 2	FDUM60VH x 2	FDUM71VH x 2
Outdoor unit			FDC140VNA	FDC100VSA	FDC125VSA	FDC140VSA
Power source			1 Phase 220-240V, 50Hz / 220V, 60Hz		3 Phase 380-415V, 50Hz / 380V, 60Hz	
Nominal cooling capacity (Min~Max)	kW		13.6 (5.0 ~ 14.5)	10.0 (4.0 ~ 11.2)	12.5 (5.0 ~ 14.0)	13.6 (5.0 ~ 14.5)
Nominal heating capacity (Min~Max)	kW		15.5 (4.0 ~ 16.5)	11.2 (4.0 ~ 12.5)	14.0 (4.0 ~ 16.0)	15.5 (4.0 ~ 16.5)
Power consumption	Cooling/Heating	kW	5.02 / 4.20	3.25 / 3.21	4.53 / 3.75	5.02 / 4.20
EER/COP	Cooling/Heating		2.71 / 3.69	3.08 / 3.49	2.76 / 3.73	2.71 / 3.69
Inrush current		A	5	5	5	5
Max. current			27	17	17	18
Sound power level*1	Indoor ⁴	Cooling/Heating	60 / 60	60 / 60	60 / 60	65 / 65
	Outdoor	Cooling/Heating	73 / 73	70 / 70	71 / 71	73 / 73
Sound pressure level*1	Indoor ⁴	Cooling (P-Hi/Hi/Me/Lo)	37 / 32 / 29 / 26	37 / 32 / 29 / 26	36 / 31 / 28 / 25	38 / 33 / 29 / 25
	Outdoor	Heating (P-Hi/Hi/Me/Lo)	37 / 32 / 29 / 26	37 / 32 / 29 / 26	36 / 31 / 28 / 25	38 / 33 / 29 / 25
Air flow	Indoor ⁴	Cooling (P-Hi/Hi/Me/Lo)	13 / 10 / 9 / 8	13 / 10 / 9 / 8	20 / 15 / 13 / 10	24 / 19 / 15 / 10
	Outdoor	Heating (P-Hi/Hi/Me/Lo)	13 / 10 / 9 / 8	13 / 10 / 9 / 8	20 / 15 / 13 / 10	24 / 19 / 15 / 10
External static pressure*2		Pa	Standard:35 Max:100			
Exterior dimensions	Indoor	HeightxWidthxDepth	280 x 750 x 635		280 x 950 x 635	
	Outdoor		845 x 970 x 370			
Net weight	Indoor		29		34	
	Outdoor		80		82	
Ref.piping size	Liquid/Gas	ømm	9.52(3/8") / 15.88(5/8")			
Refrigerant line (one way) length		m	Max.50			
Vertical height differences	Outdoor is higher/lower	m	Max.50 / Max.15			
Outdoor operating temperature range	Cooling	°C	-15~50*3			
	Heating		-20~20			
Air filter (option)			Filter kit : UM-FL1EF		Filter kit : UM-FL2EF	
Remote control (option)			wired:RC-EX3A, RC-E5, RCH-E3 wireless:RCN-KIT4-E2			

The values are for simultaneous Multi operation.

R410A			Micro Inverter			
Set model name			FDUM200VSAPVH	FDUM250VSAPVH	FDUM140VSATVH	FDUM200VSATVH
			Twin		Triple	
Indoor unit			FDUM100VH x 2	FDUM125VH x 2	FDUM50VH x 3	FDUM71VH x 3
Outdoor unit			FDC200VSA	FDC250VSA	FDC140VSA	FDC200VSA
Power source			3 Phase 380-415V, 50Hz / 380V, 60Hz			
Nominal cooling capacity (Min~Max)	kW		19.0 (5.2 ~ 22.4)	24.0 (6.9 ~ 28.0)	13.6 (5.0 ~ 14.5)	19.0 (5.2 ~ 22.4)
Nominal heating capacity (Min~Max)	kW		22.4 (3.3 ~ 25.0)	27.0 (5.5 ~ 31.5)	15.5 (4.0 ~ 16.5)	22.4 (3.3 ~ 25.0)
Power consumption	Cooling/Heating	kW	6.51 / 6.04	8.33 / 7.52	5.02 / 4.20	6.46 / 6.15
EER/COP	Cooling/Heating		2.92 / 3.71	2.88 / 3.59	2.71 / 3.69	2.94 / 3.64
Inrush current		A	5	5	5	5
Max. current			22	24	18	22
Sound power level*1	Indoor ⁴	Cooling/Heating	65 / 65	67 / 67	60 / 60	65 / 65
	Outdoor	Cooling/Heating	72 / 74	73 / 75	73 / 73	72 / 74
Sound pressure level*1	Indoor ⁴	Cooling (P-Hi/Hi/Me/Lo)	44 / 38 / 36 / 30	45 / 40 / 34 / 29	37 / 32 / 29 / 26	38 / 33 / 29 / 25
	Outdoor	Heating (P-Hi/Hi/Me/Lo)	44 / 38 / 36 / 30	45 / 40 / 34 / 29	37 / 32 / 29 / 26	38 / 33 / 29 / 25
Air flow	Indoor ⁴	Cooling (P-Hi/Hi/Me/Lo)	36 / 28 / 25 / 19	39 / 32 / 26 / 20	13 / 10 / 9 / 8	24 / 19 / 15 / 10
	Outdoor	Heating (P-Hi/Hi/Me/Lo)	36 / 28 / 25 / 19	39 / 32 / 26 / 20	13 / 10 / 9 / 8	24 / 19 / 15 / 10
External static pressure*2		Pa	Standard:60 Max:100		Standard:35 Max:100	
Exterior dimensions	Indoor	HeightxWidthxDepth	280 x 1,370 x 740		280 x 950 x 635	
	Outdoor		1,300 x 970 x 370	1,505 x 970 x 370	845 x 970 x 370	1,300 x 970 x 370
Net weight	Indoor		54		34	
	Outdoor		115	143	82	115
Ref.piping size	Liquid/Gas	ømm	9.52(3/8") / 22.22(7/8")		9.52(3/8") / 15.88(5/8")	
Refrigerant line (one way) length		m	Max.70		Max.50	
Vertical height differences	Outdoor is higher/lower	m	Max.30 / Max.15		Max.50 / Max.15	
Outdoor operating temperature range	Cooling	°C	-15~50*3			
	Heating		-15~20		-20~20	
Air filter (option)			Filter kit : UM-FL3EF		Filter kit : UM-FL1EF	
Remote control (option)			wired:RC-EX3A, RC-E5, RCH-E3 wireless:RCN-KIT4-E2			

NOTES:

The data are measured under the following conditions(R410A : ISO-T1, R32 : ISO-T1, H1).
 Cooling:Indoor temp. of 27°CDB, 19°CWB, and outdoor temp. of 35°CDB. Heating:Indoor temp. of 20°CDB, and outdoor temp. of 7°CDB, 6°CWB.
 *1 : Indicates the value in an anechoic chamber. During operation these values are somewhat higher due to ambient conditions.
 *2 : External static pressure is changeable to be set by the remote control. MAX external static pressure is "High static pressure" setting. The values of sound pressure level become 5dB(A) higher at external static pressure of 100Pa.
 *3 : If a cooling operation is conducted when the outdoor air temperature is -5°C or lower, the outdoor unit should be installed at a place where it is not influenced by natural wind. If wind blows, the low pressure will drop and compressor frequency will increase, this will cause the capacity to drop and may cause the unit to break down.
 *4 : The values are for one indoor unit operation. (Multi system only)

R32			Standard Inverter		
Set model name			FDUM71VNPVWH	FDUM90VNPVWH	FDUM100VNPVWH
Indoor unit			FDUM71VH	FDUM100VH	FDUM100VH
Outdoor unit			FDC71VNP-W	FDC90VNP-W	FDC100VNP-W
Power source			1 Phase 220-240V, 50Hz / 220V, 60Hz		
Nominal cooling capacity (Min~Max)		kW	7.1 (1.5 ~ 7.3)	9.0 (2.1 ~ 9.5)	10.0 (2.1 ~ 10.2)
Nominal heating capacity (Min~Max)		kW	7.1 (1.1 ~ 7.3)	9.0 (1.7 ~ 9.5)	10.0 (1.7 ~ 10.4)
Power consumption		Cooling/Heating	2.60 / 1.89	2.62 / 1.98	3.08 / 2.45
EER/COP		Cooling/Heating	2.73 / 3.76	3.44 / 4.55	3.25 / 4.08
Inrush current		A	5	5	5
Max. current			15.8	19	19
Sound power level*1	Indoor	Cooling/Heating	65 / 65	65 / 65	65 / 65
	Outdoor	Cooling/Heating	67 / 67	67 / 66	68 / 67
Sound pressure level*1	Indoor	Cooling (P-Hi/Hi/Me/Lo)	38 / 33 / 29 / 25	44 / 38 / 36 / 30	44 / 38 / 36 / 30
		Heating (P-Hi/Hi/Me/Lo)	38 / 33 / 29 / 25	44 / 38 / 36 / 30	44 / 38 / 36 / 30
	Outdoor	Cooling/Heating	54 / 54	55 / 53	56 / 54
		Cooling (P-Hi/Hi/Me/Lo)	24 / 19 / 15 / 10	36 / 28 / 25 / 19	36 / 28 / 25 / 19
Air flow	Indoor	Heating (P-Hi/Hi/Me/Lo)	24 / 19 / 15 / 10	36 / 28 / 25 / 19	36 / 28 / 25 / 19
		Cooling/Heating	42 / 42	59 / 55	63 / 55
External static pressure*2		Pa	Standard:35 Max:100	Standard:60 Max:100	
Exterior dimensions	Indoor	HeightxWidthxDepth	mm	280 x 950 x 635	
	Outdoor		mm	280 x 1,370 x 740	
Net weight	Indoor		kg	34	
	Outdoor		kg	45	
Ref.piping size	Liquid/Gas	ømm	6.35(1/4") / 12.7(1/2")		
Refrigerant line (one way) length		m	Max.30		
Vertical height differences		Outdoor is higher/lower	Max.20 / Max.20		
Outdoor operating temperature range		Cooling	-15~46*3		
			Heating	-15~20	
Air filter (option)			Filter kit : UM-FL2EF	Filter kit : UM-FL3EF	
Remote control (option)			wired:RC-EX3A, RC-E5, RCH-E3 wireless:RCN-KIT4-E2		

R410A			Standard Inverter		
Set model name			FDUM71VNPVH	FDUM90VNP1VH	FDUM100VNP1VH
Indoor unit			FDUM71VH	FDUM100VH	FDUM100VH
Outdoor unit			FDC71VNP	FDC90VNP1	FDC100VNP
Power source			1 Phase 220-240V, 50Hz / 220V, 60Hz		
Nominal cooling capacity (Min~Max)		kW	7.1 (1.4 ~ 7.1)	9.0 (1.9 ~ 9.0)	10.0 (2.8 ~ 11.2)
Nominal heating capacity (Min~Max)		kW	7.1 (1.0 ~ 7.1)	9.0 (1.5 ~ 9.0)	11.2 (2.5 ~ 12.5)
Power consumption		Cooling/Heating	2.60 / 1.89	2.69 / 2.25	3.00 / 2.93
EER/COP		Cooling/Heating	2.73 / 3.76	3.35 / 4.00	3.33 / 3.82
Inrush current		A	5	5	5
Max. current			14.5	18	22
Sound power level*1	Indoor	Cooling/Heating	65 / 65	65 / 65	65 / 65
	Outdoor	Cooling/Heating	67 / 67	69 / 69	70 / 70
Sound pressure level*1	Indoor	Cooling (P-Hi/Hi/Me/Lo)	38 / 33 / 29 / 25	44 / 38 / 36 / 30	44 / 38 / 36 / 30
		Heating (P-Hi/Hi/Me/Lo)	38 / 33 / 29 / 25	44 / 38 / 36 / 30	44 / 38 / 36 / 30
	Outdoor	Cooling/Heating	54 / 54	57 / 55	57 / 61
		Cooling (P-Hi/Hi/Me/Lo)	24 / 19 / 15 / 10	36 / 28 / 25 / 19	36 / 28 / 25 / 19
Air flow	Indoor	Heating (P-Hi/Hi/Me/Lo)	24 / 19 / 15 / 10	36 / 28 / 25 / 19	36 / 28 / 25 / 19
		Cooling/Heating	36 / 36	63 / 49.5	75 / 79
External static pressure*2		Pa	Standard:35 Max:100	Standard:60 Max:100	
Exterior dimensions	Indoor	HeightxWidthxDepth	mm	280 x 950 x 635	
	Outdoor		mm	280 x 1,370 x 740	845 x 970 x 370
Net weight	Indoor		kg	34	
	Outdoor		kg	45	57
Ref.piping size	Liquid/Gas	ømm	6.35(1/4") / 12.7(1/2")		
Refrigerant line (one way) length		m	Max.30		
Vertical height differences		Outdoor is higher/lower	Max.20 / Max.20		
Outdoor operating temperature range		Cooling	-15~46*3		
			Heating	-15~20	
Air filter (option)			Filter kit : UM-FL2EF	Filter kit : UM-FL3EF	
Remote control (option)			wired:RC-EX3A, RC-E5, RCH-E3 wireless:RCN-KIT4-E2		